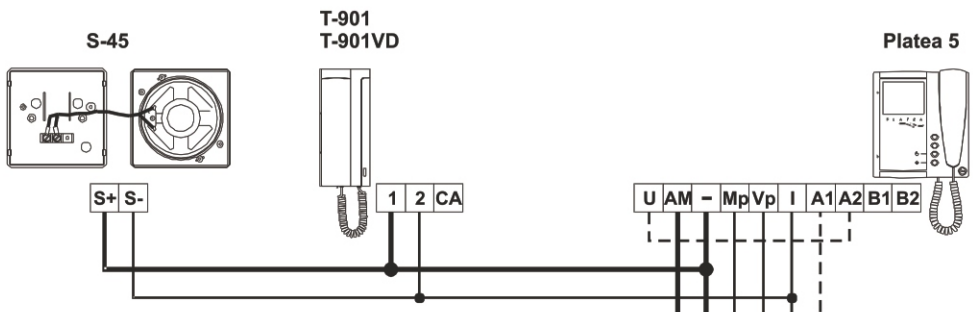
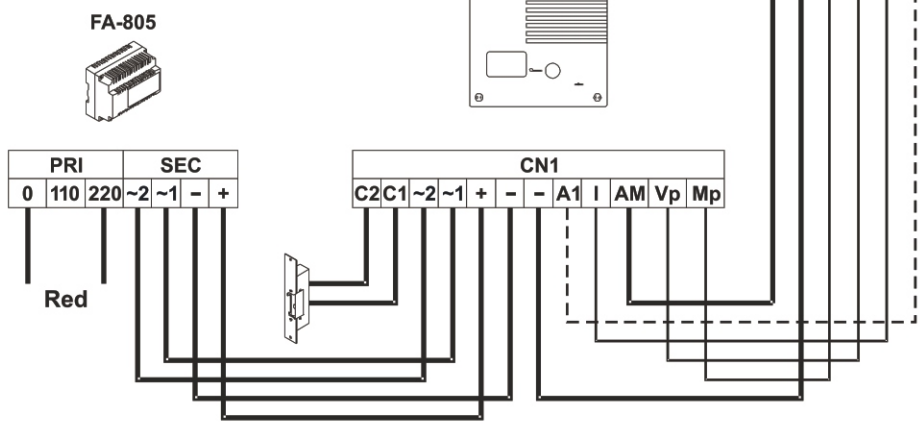
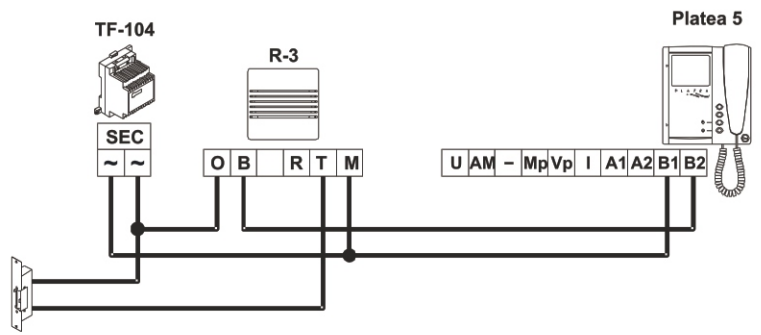


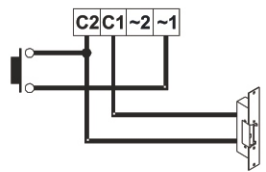
SV-805



Possibility to use up to two simultaneous call repeaters in the same apartment.
For each parallel unit should increase cables sections I, 2, S+ by double.



Discontinuous line shows connections for enabling auto-switch on function.



	Distances	
Power supply/ door panel / lock release.	50m.	100m.
-, +	1,50mm ²	2,50mm ²
~1, ~2, C1, C2	1,00mm ²	1,50mm ²

	Distance		
Monitor/door panel	50m.	100m.	200m.
I	0,25mm ²	0,50mm ²	1,00mm ²
-, AM	1,00mm ²	1,50mm ²	2,50mm ²
Vp, Mp, A1	0,25mm ²	0,25mm ²	0,25mm ² *

* For longer distances than 100m., Wires Vp and Mp (video signal) should be twisted.