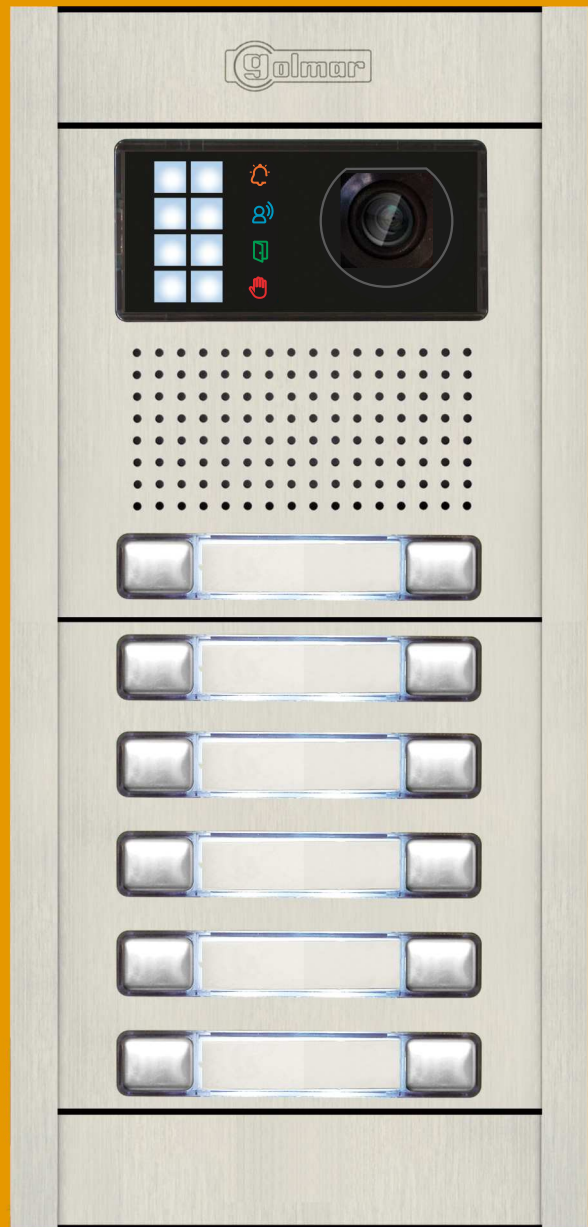




G2+

TECHNOLOGY

INSTRUCTIONS MANUAL



Audio and Video
Door Entry System
G2+ Nexa Modular
2-Wire

INTRODUCTION

First and foremost we would like to thank you for purchasing this product.

Our commitment to achieving the satisfaction of customers like you is manifested through our ISO-9001 certification and the manufacture of products like the one you have just purchased.

Its advanced technology and strict quality control will ensure that customers and users enjoy the numerous features that this device offers. To get the most out of them and ensure proper operation from day one, we recommend that you read this instruction manual.

CONTENTS

| | |
|---|-------|
| Introduction..... | 2 |
| Contents..... | 2 |
| Set-up warnings..... | 2 |
| Safety precautions..... | 3 |
| Characteristics..... | 3 |
| System operation..... | 3 |
| Description of the Nexa Modular door panel..... | |
| Description of the door panel..... | 4 |
| Description of the EL632 G2+ SE / EL642 G2+ sound module..... | 5 |
| Description of the EL610D button modules..... | 6 |
| Positioning the embedding box..... | 7 |
| Preparing the cable entry..... | 7 |
| Fitting the embedding box..... | 8 |
| Mounting the electronic modules..... | 8 |
| Fastening the frame to the embedding box..... | 9 |
| Connecting the buttons to the short connection cable..... | 9 |
| Connecting the buttons to the RAP-610D short connection cable..... | 10 |
| Configuring the button code (video installation up to 32 monitors/ apartments)..... | 10 |
| Configuring double button module codes..... | 11 |
| Configuring single button module codes..... | 12-13 |
| Configuring the button code (only audio installation up to 128 terminals apartments)..... | 14-15 |
| Configuring double button module codes..... | 16-19 |
| Configuring single button module codes..... | 20-23 |
| Description of the DIP switch..... | 24 |
| Audio level jumper description (vocal synthesis and tones mode)..... | 24 |
| Description of the LED lights (low light conditions)..... | 24 |
| Description of the visual signals on the door panel..... | 25 |
| Description of the vocal synthesis (audible signals on the door panel)..... | 25 |
| Description of the tones mode audible signals on the door panel)..... | 25 |
| Description of the P1 and P2 external call buttons (video module)..... | 25 |
| Description connector to digital converter CD-NEXA/G2+ / connection illumination EL3002 module..... | 26 |
| Selecting vocal synthesis language or tones mode..... | 27 |
| To change the call code P1 and P2 push button (sound module) / final adjustments..... | 28 |
| Closing the frame and Inserting the button identification labels..... | 29 |
| Mounting the door panel/double door panel modules and closing the door panel..... | 30-32 |
| Installing the lock release installation..... | 32 |
| Installing the power supply unit (FA-G2+)..... | 33 |
| Wiring diagrams..... | 34-52 |
| Installation riser types..... | 53-57 |
| Connection of an external camera (only EL632 G2+ SE sound module with colour camera)..... | 58 |
| Cleaning the door panel..... | 58 |
| Notes..... | 59 |
| Compliance..... | 60 |

SET-UP WARNINGS

- Do not overtighten the screws on the power supply connector.
- **Always disconnect the power supply** before installing or making modifications to the devices.
- The fitting and handling of these devices must be carried out by **authorised personnel**.
- The wiring must run at least **40cm away from any other wiring**.
- Before connecting the device to the mains, check the connections between the door panel, power supply unit, distributors monitors and audio terminals.
- Use the Golmar **RAP-GTWIN/HF** cable (2x1mm²).
- Always follow the instructions contained in this manual.



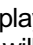
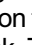
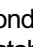





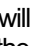
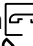
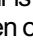
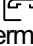

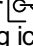
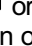
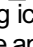
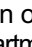

SAFETY PRECAUTIONS

- **Always disconnect the power supply** before installing or making modifications to the devices.
- The fitting and handling of these devices must be carried out by **authorised personnel.**
- The wiring must run at least **40 cm away from any other wiring.**
- On the power supply unit:
 - ⌚ Do not overtighten the screws on the connector.
 - ⌚ Install the power supply unit in a dry and protected place free from the risk of water leaks or sprays.
 - ⌚ Avoid locations that are humid, dusty or near heat sources.
 - ⌚ Ensure that the air vents are free from obstruction so that air can circulate freely.
 - ⌚ To avoid damage, the power supply unit must be firmly secured in place.
 - ⌚ To prevent electric shock, do not remove the cover or handle the wiring connected to the terminals.

CHARACTERISTICS

- Audio and video door entry system with simplified wiring (non-polarised 2-wire bus).
- Up to 4 access panel (DPM-G2+ multiplexer required for more than one access panel) per installation.
- Up to 32 monitors and apartments with a ART 4 / ART 4 LITE monitor per installation.
- Up to 32 monitors and apartments with a ART 7H / ART 7 LITE monitor per installation.
- Up to 32 monitors and apartments with a ART 7W/G2+ monitor per installation. **Only the master monitor can activate Wi-Fi transmission** (FA-ART 7W power supply unit required for apartment).
- Up to 32 monitors/audio terminals and apartments in mixed installations (terminals and monitors).
- Up to 128 audio terminals and apartments per installation ("only audio" installation with EL642/G2+ module).
- Up to 4 monitors/audio terminals per apartment.
- Up to 8 monitors in parallel (in 1 output (to monitor) of the distributor), see pages 48 and 56-57.
- Up to 12 monitors in parallel (installation without distributors) per installation.
- Video module EL632 G2+ SE with pan and tilt mechanism to adjust the telecamera position.
- Call confirmation tone.
- Visual signals on the door panel for people with impaired hearing (indicating call process, communication, door open and channel busy).
- Audible signals on the door panel for people with impaired vision (indicating call in progress, resident unavailable, door open and call finished).
- Door opening timeable from monitor (up to 10 seconds), see corresponding monitor user manual.
- 2 outputs for independently activated lock releases.
- Relay 1 and relay 2 output to activate the DC or AC lock releases actuated by relay.
- Input for external door opening button (Relay 1 output).
- Input for external door opening button (Relay 2 output).
- Maximum distance between the power supply & the first distributor (video door panel): 80m with a cross-section of 1mm².
- Maximum distance between first distributor & last distributor:(video door panel) 80m with a cross-section of 1mm².
- Maximum distance between distributor & monitor (video door panel): 30m with a cross-section of 1mm².
- Maximum distance between power supply and door panel (video door panel): 80m with a cross-section of 1mm².
- Maximum distance between power supply and last monitor "with distributors": 190m with a cross-section of 1mm².
- Maximum distance between power supply and last monitor (without distributors): see pages 45, 48 & 56-57.

SYSTEM OPERATION

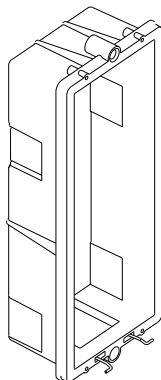
- To make a call, the visitor must press the button of the apartment; an audible sound indicates that the call is being made and LED  will turn on. If vocal synthesis is enabled, a 'Call is in progress' message appears indicating that a call is being made. At this moment, the apartment's monitors receive the call. If another apartment is called by mistake, press the button for the correct apartment and the first call will be cancelled.
- Upon receiving the call, the image will appear on the screen of the master monitor (and slave 1, if it exists) without the visitor knowing and icon  displayed on the screen will blink green, the led  of the ART1 terminal(s) will blink white and the led  of the T-ART terminal(s) will blink. To view the image from slave monitors 2 or 3, press on one of the buttons of the ART 4/ ART 7H monitor or press the screen of the ART 7W monitor for the image to appear. If the call is not answered within 45 seconds, LED  will turn off and the system will become free.
- To establish communication, press the button below off-the-hook icon  of the ART 4 / ART 7H monitor, press off-the-hook icon  on the screen of the ART 7W monitor, press the button  of the ART1 terminal or lift the handset of any T-ART terminal. Door panel LED  will turn off and the led  will turn on. If the door panel has an EL3002H module with icon  displayed on the front, the LED of the EL3002H module will illuminate. Make sure that the hearing aid is 15 - 20 cm away from the door panel to ensure maximum audio quality during communication with the apartment.
- Connection will last for 90 seconds or until is pressed the button below on-the-hook icon  of the ART 4/ ART 7H monitor, is pressed on-the-hook icon  on the screen of the ART 7W monitor, is pressed the button  of the ART1 terminal or the handset is hung up in the T-ART terminal. When communication ends, door panel LED  will turn off and the system will become free. If vocal synthesis is enabled, a 'Communication is finished' message will indicate that the call is over.
- To open door  or  of the door panel, press the corresponding button below of the ART 4 /ART 7H monitor, press the corresponding icon on the screen of the ART 7W monitor or press the corresponding button  door 1 or  door 2 of any terminal of the apartment, during the call or communication processes: one press will activate the lock release for 3 seconds and LED  will also turn on for 3 seconds. If vocal synthesis is enabled, a 'Door is open' message will be indicated on the door panel.
- Detailed operation and configuration of the monitor/terminal, see the corresponding monitor user manual.

DESCRIPTION OF THE NEXA MODULAR DOOR PANEL

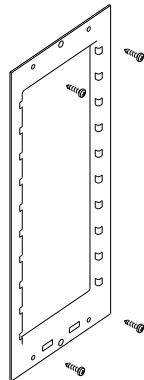
Description of the door panel:

Door panel component assembly drawing.

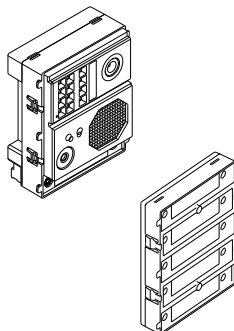
Embedding boxes



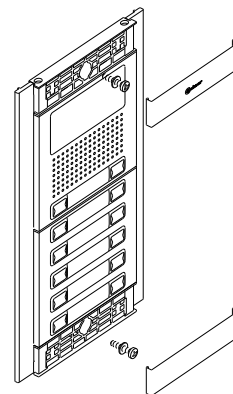
Frame modules



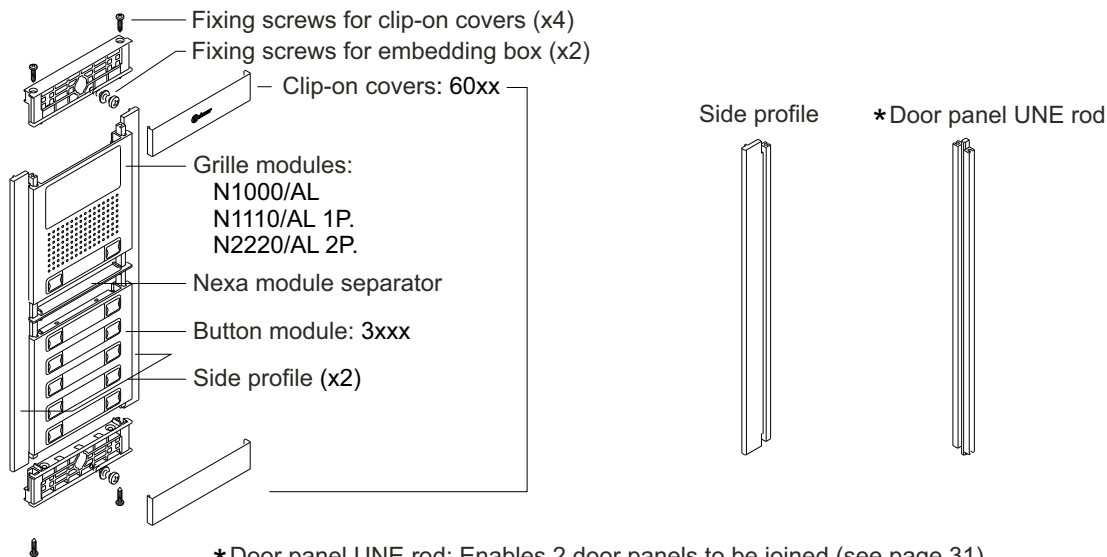
Electronic modules



Aluminium panel

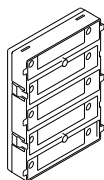


Description of the door panel.



Video module

EL632/G2+ SE , in video door entry systems with colour television camera.
 EL642/G2+ , in audio door entry systems.



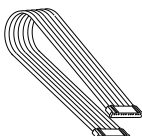
Button module

EL610D, for 5 individual or 10 double buttons.



Short connection cable supplied with the EL610A module (length 16 cm).

For connecting the buttons between the sound module and the EL610D button module and between EL610D button modules.



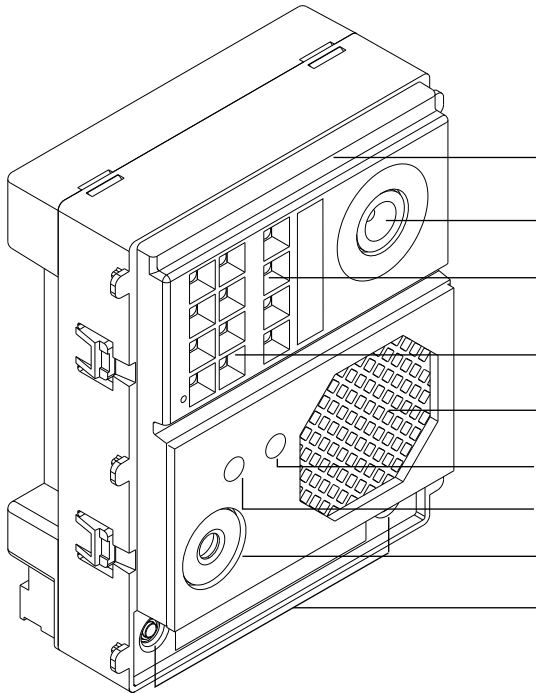
RAP-610D connection cable (length 27 cm).

For connecting the buttons between the sound module and the EL610D button module and between EL610D button modules.

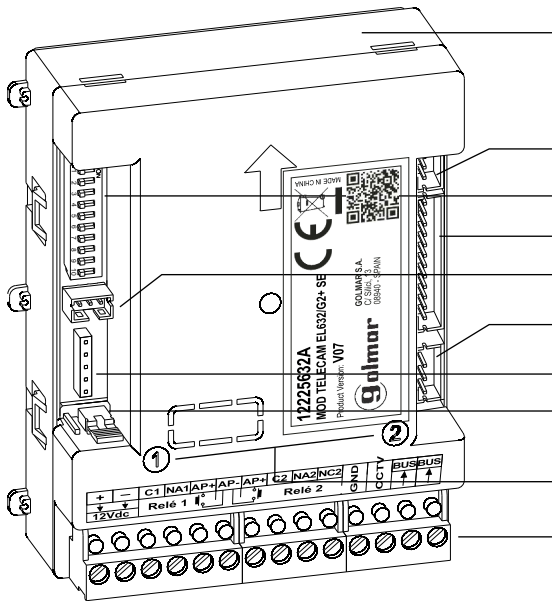
This hose is required when the distance between modules to be connected is greater due to their distribution in the door panels.

DESCRIPTION OF THE EL632 G2+ P/T SOUND MODULE EL632 G2+ ES / EL642 G2+

Description of the EL632 G2+ ES / EL642 G2+ sound module:



- Front.
- Colour telecamera (only EL632 G2+ SE sound module).
- LEDs (visual signals for people with impaired hearing).
- LEDs (activation in low light conditions). (Only EL632 G2+ SE sound module).
- Speaker.
- Door panel audio adjustment.
- Monitor audio adjustment.
- Microphone.
- Video module push buttons P1 & P2 (x2).



- Back side.
- Connector to CD-NEXA/G2+ digital converter module.
- Configuration DIP switch.
- EL610D button module connector
- EL3002H module connector.
- External call push buttons P1 & P2 connector.
- No utilizar (uso interno).
- Jumper for volume control of the "tones mode" and "vocal synthesis" (minimum, maximum and mute) of the door panel.
- "P1" y "P2" button number of the sound module.
- Connector (Bus G2+).

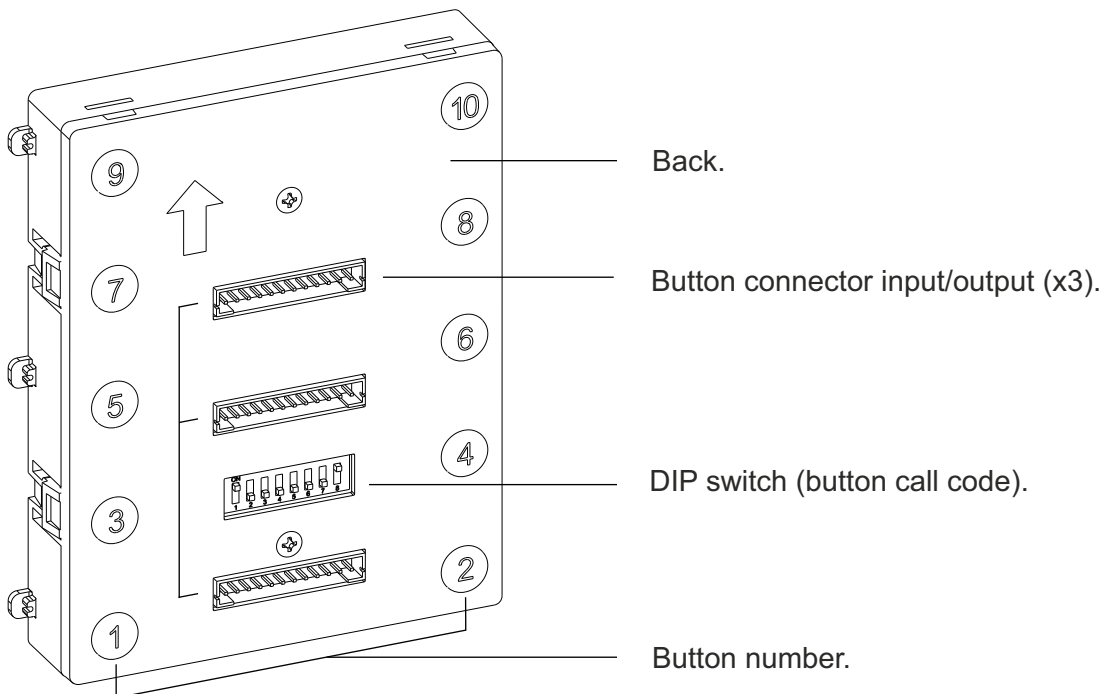
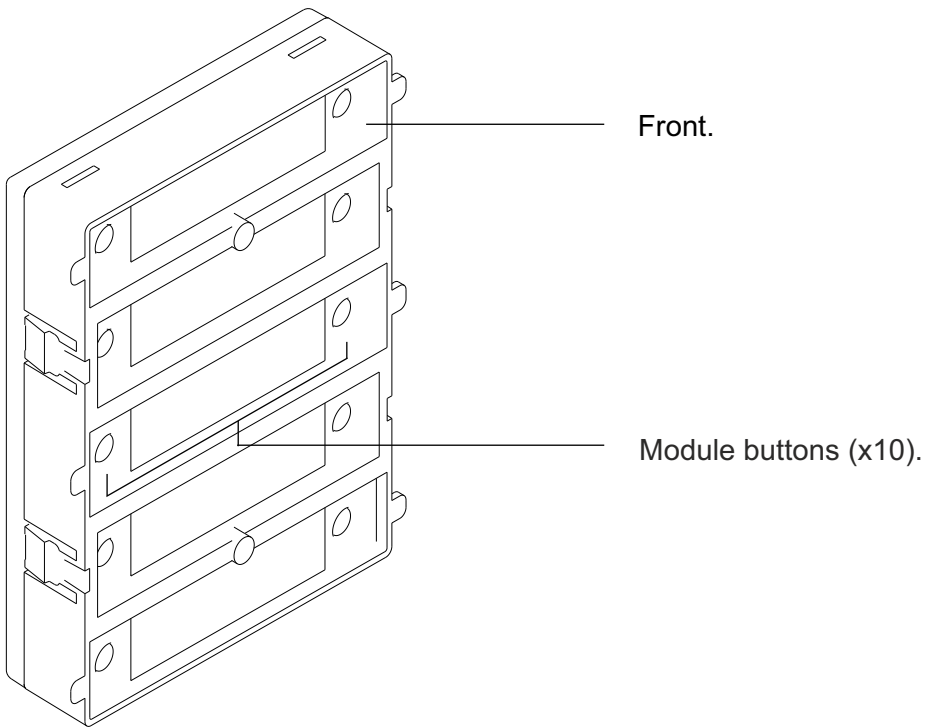
Connection terminals:

- + , - : Positive, negative (12Vdc output for Golmar DC electric lock).
- C1 : Contact "C" for electric lock (Relay 1).
- NA1 : Contact "NO" for electric lock (Relay 1).
- AP+ : Input for external door opening button (Relay 1).
- AP- : Input for external doors opening buttons (Relay 1 and Relay 2).
- AP+ : Input for external door opening button (Relay 2).
- C2 : Contact "C" for electric lock (Relay 2).
- NA2 : Contac "N.O" for electric lock (Relay 2).
- NC2 : Contac "N.C" for electric lock (Relay 2)
- GND : Input GND for CCTV analogic camera (only EL632 G2+ SE sound module).
- CCTV : Input for CCTV analogic camera (only EL632 G2+ SE sound module).
- BUS : Connection BUS (non-polarised).
- BUS : Connection BUS (non-polarised).

Nota: See wiring diagrams for connections (pages 34 to 52).

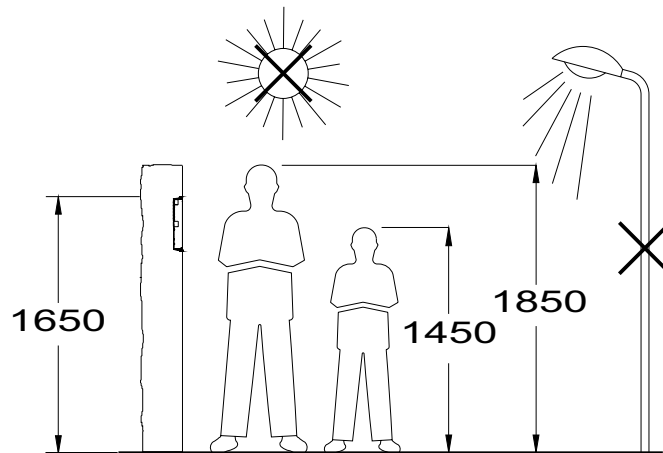
DESCRIPTION OF THE EL610D BUTTON MODULE

Description of the EL610D button module:



INSTALLATION OF THE DOOR PANEL

Positioning the embedding box:

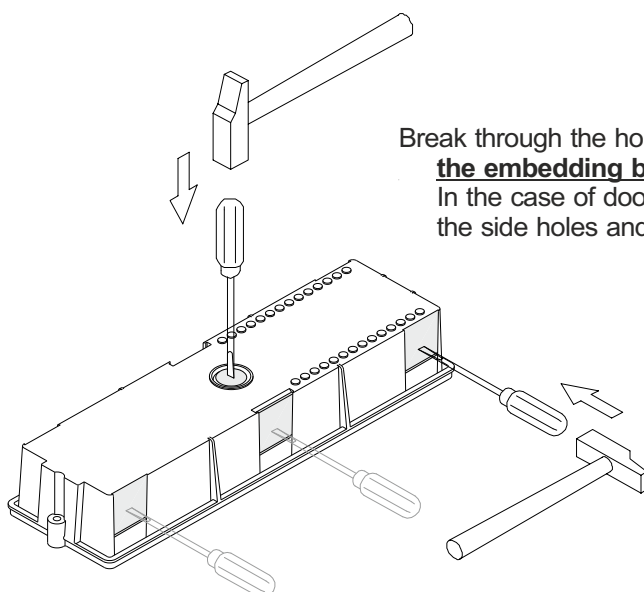


Make a hole in the wall to position the top of the door panel at a height of 1.65m.
Hole dimensions depend on the type of door panel.

| Modules Model | 1 NCEV90CS | 2 NCEV90C | 3 CEV90 |
|---------------|---------------|--------------|------------|
| W (width) | 99 | 99 | 99 mm. |
| H (height) | 132,5 | 238 | 328 mm. |
| D (depth) | 56,5 | 56 | 56 mm. |

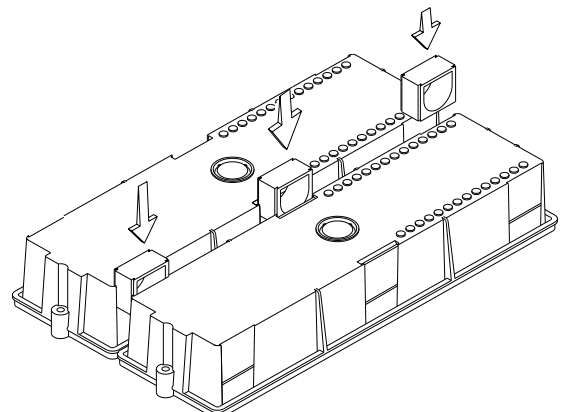
The door panel has been designed to be used under most environmental conditions. It is however advisable to take extra precautions to prolong its service life (shields, covered areas, etc.). To obtain optimum video door entry system image quality, avoid direct contact from light sources (sunshine, street lights, etc.)

Preparing the cable entry:



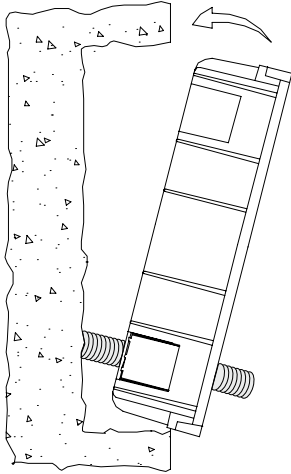
Break through the hole to allow **entry of cables through the bottom part of the embedding box.**

In the case of door panels with more than one embedding box, break through the side holes and join the embedding boxes using cable grommets.



INSTALLATION OF THE DOOR PANEL

Fitting the embedding box:



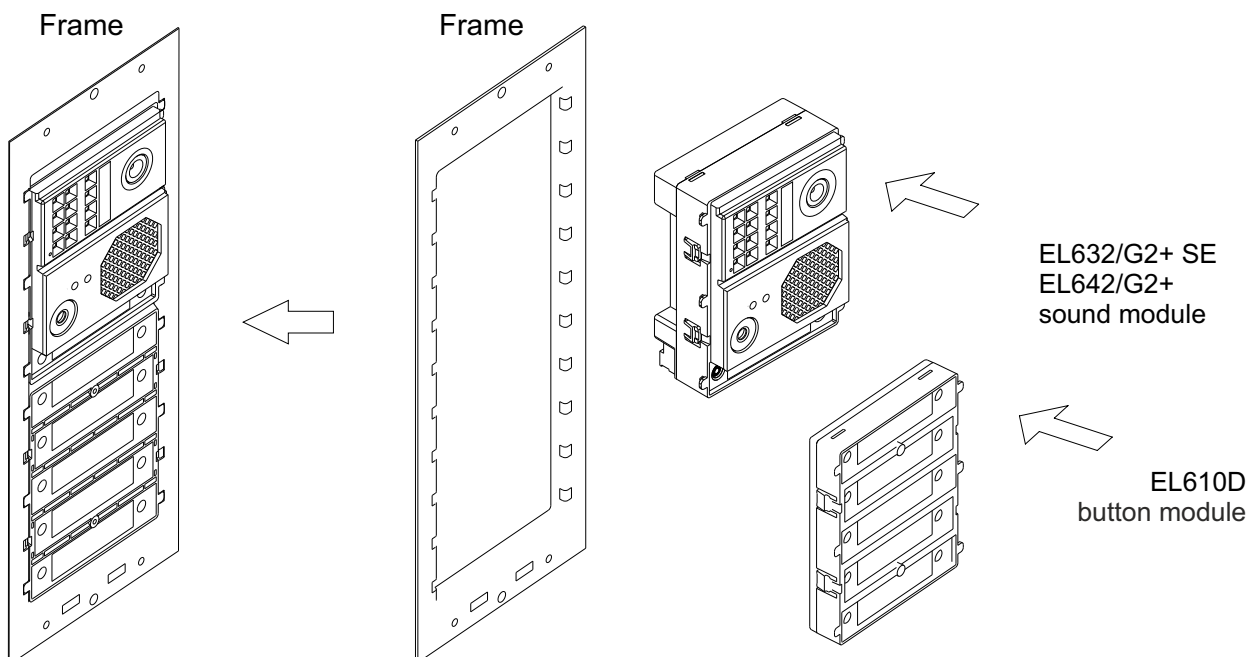
Pass the cable through the hole made in the embedding box. Embed the box and ensure that it is level and flush. Once the embedding box is positioned, remove the protective stickers from the door panel's fixing holes.

Mounting the electronic modules:

Insert the sound module into the top of the frame module.

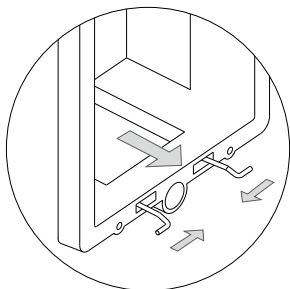
Line up the clips on the sound module with the respective housings on the frame module and then press gently until correctly positioned.

If there is a button module, repeat the above process, positioning it below the sound module, as shown in the drawing.



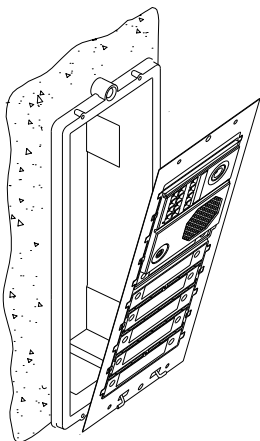
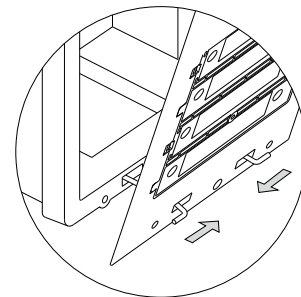
INSTALLATION OF THE DOOR PANEL

Fastening the frame to the embedding box:



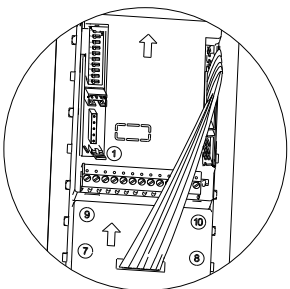
Insert the spring hinge which attaches to the product in the embedding box, as shown in the drawing.

To fasten the frame to the embedding box, insert the spring hinge into the housings provided for this purpose in the frame, as shown in the drawing.



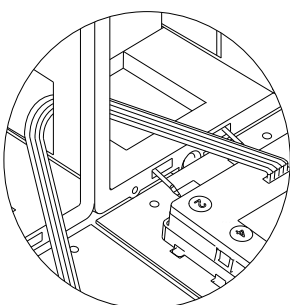
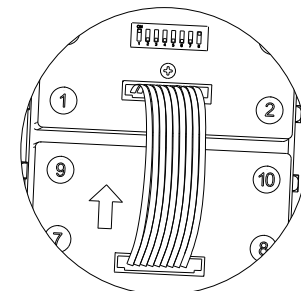
The frame can now be tilted horizontally to enable sound module and button module connection and setting.

Connecting the buttons to the short connection cable:



Insert one end of the short connection cable supplied with the EL610D product into the sound module connector and the other end into the connector situated at the top of the EL610D button module, as shown in the drawing.

Between EL610D button modules in the same embedding box, insert the short connection cable from the lower connector of the first button module into the upper connector of the second button module, as shown in the drawing.



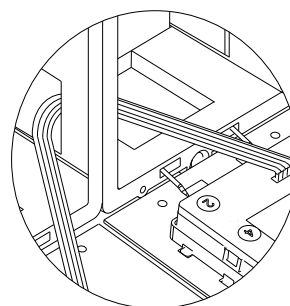
Between EL610D button modules in different embedding boxes, insert one end of the short connection cable into the lower connector of the final EL610D module in the first embedding box and the other end into the middle connector of the last EL610D button module situated at the bottom of the second embedding box, as shown in the drawing.

NEXA MODULAR G2+ AUDIO AND VIDEO DOOR ENTRY SYSTEM - BUILDING 10

INSTALLATION OF THE DOOR PANEL

Connecting the buttons to the RAP-610D short connection cable:

Use the RAP-610D connection cable to connect the buttons between the sound module and the EL610D button module and between EL610D button modules when the distance between modules to be connected is greater due to the composition of the door panels.

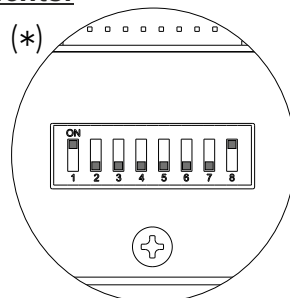


Configuring the button code (video installation up to 32 monitors/ apartments):

The EL610D button module needs to be configured in order to assign a call code to the buttons. Carry out this configuration with the DIP switch located at the back of the module.

Depending on the configuration option selected, the buttons will be assigned with a certain call code.

To configure the call code on the monitors. It is worth noting the call code of each button, as shown in the table below.



IMPORTANT: Mixed installation with monitors and audio terminals up to 32 elements/apartments.

NOTE: Installations of up to 128 monitors with module EL632 G2+ SE V04 & later, (see manual "TRD-G2+" Code 50122552).

EL610D button module

Double button module codes

| | | DIP switch | | | | | | | | Button code | | | | | | | | | | (1) |
|-----------------------------|-----------------------------------|------------|------|------|------|------|------|------|------|-------------|----|----|----|----|----|-----|----|----|-----|-----|
| | | Dip1 | Dip2 | Dip3 | Dip4 | Dip5 | Dip6 | Dip7 | Dip8 | P1 | P2 | P3 | P4 | P5 | P6 | P7 | P8 | P9 | P10 | |
| Module configuration option | 1 | On | Off | Off | Off | Off | Off | Off | On | 1 | 2 | 3 | 4 | 5 | 6 | 7 | 8 | 9 | 10 | (*) |
| | 2 | Off | On | Off | Off | Off | Off | Off | On | 11 | 12 | 13 | 14 | 15 | 16 | 17 | 18 | 19 | 20 | |
| | 3 | Off | Off | On | Off | Off | Off | Off | On | 21 | 22 | 23 | 24 | 25 | 26 | 27 | 28 | 29 | 30 | |
| | Single button module codes | | | | | | | | | | | | | | | | | | | |
| | | | Dip1 | Dip2 | Dip3 | Dip4 | Dip5 | Dip6 | Dip7 | Dip8 | P1 | P3 | P5 | P7 | P9 | (1) | | | | |
| | 1 | On | Off | Off | Off | Off | Off | Off | Off | On | 1 | 2 | 3 | 4 | 5 | (*) | | | | |
| | 2 | Off | On | Off | Off | Off | Off | Off | Off | On | 6 | 7 | 8 | 9 | 10 | | | | | |
| 3 | Off | Off | On | Off | Off | Off | Off | Off | On | 11 | 12 | 13 | 14 | 15 | | | | | | |
| 4 | Off | Off | Off | On | Off | Off | Off | Off | On | 16 | 17 | 18 | 19 | 20 | | | | | | |
| 5 | Off | Off | Off | Off | On | Off | Off | Off | On | 21 | 22 | 23 | 24 | 25 | | | | | | |
| 6 | Off | Off | Off | Off | Off | On | Off | Off | On | 26 | 27 | 28 | 29 | 30 | | | | | | |
| 7 | Off | Off | Off | Off | Off | Off | On | On | 31 | - | - | - | - | | | | | | | |

(1) P1- P10: Button 1 - button 10

**Note: EL632 G2+ SE module V04 & later, factory default with the code "128" in P1 and "127" in P2.
EL632 G2+ SE module V03, factory default with the code "32" in P1 and "31" in P2.**

Note: EL632 G2+ SE module V04 & later, P1 and P2 push buttons must be changed the call code (for example "32" in P1 and "31" in P2), see page 28.

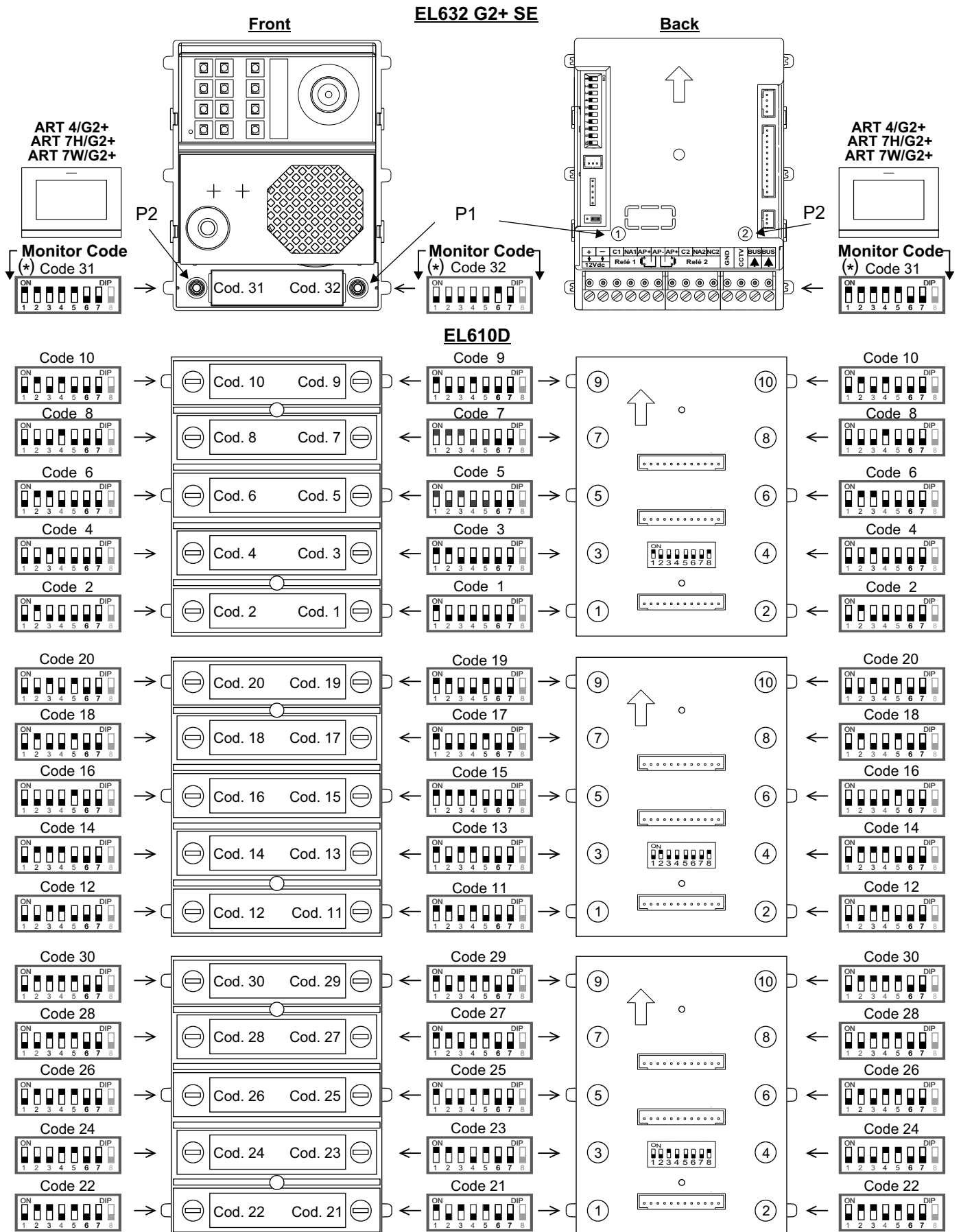
Important: Select a different configuration option for each EL610D module.

(*) Factory default.

NEXA MODULAR G2+ AUDIO AND VIDEO DOOR ENTRY SYSTEM - BUILDING 11

INSTALLATION OF THE DOOR PANEL

Configuring double button module codes:

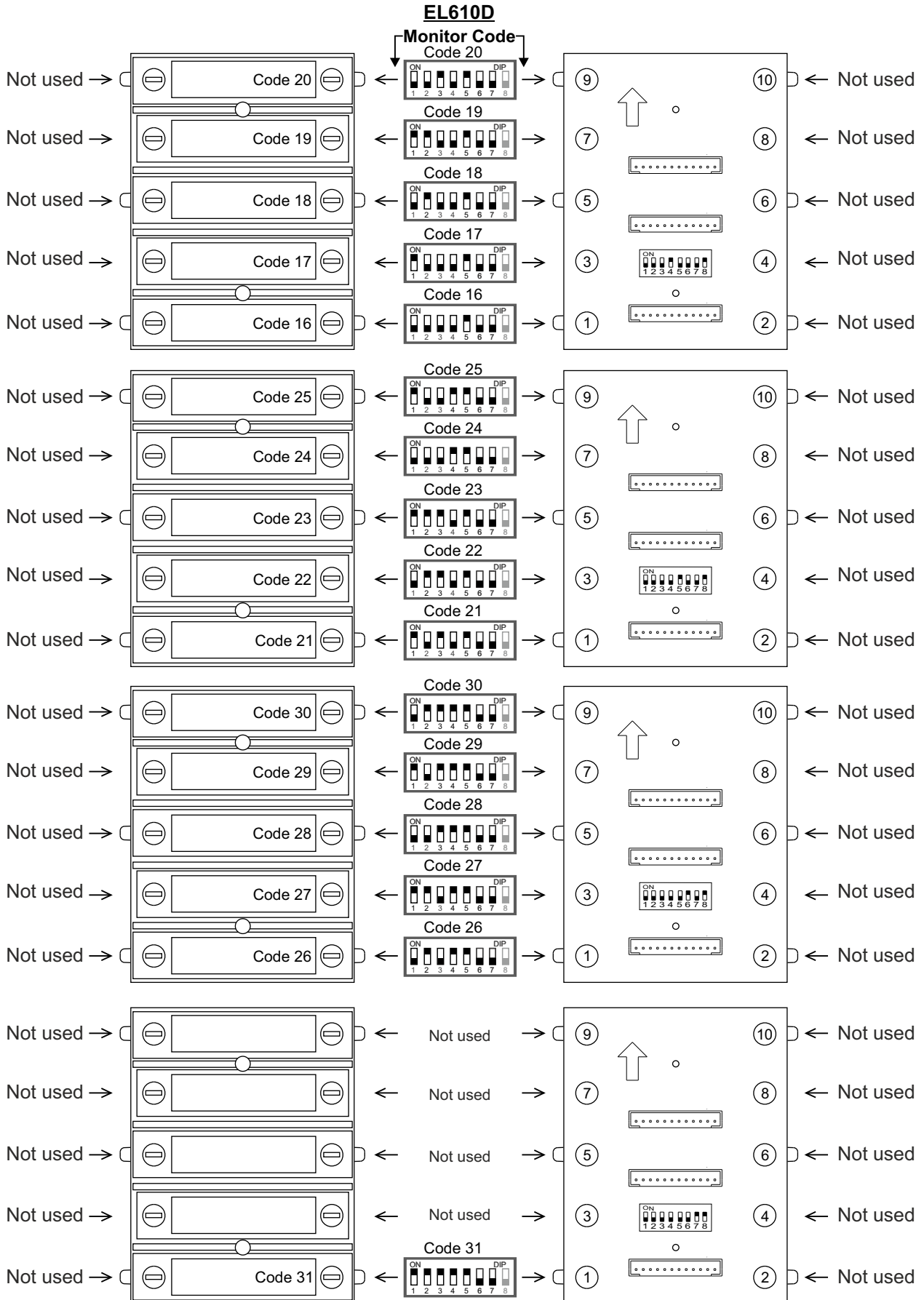


(*) Note: EL632 G2+ SE module V04 & later, P1 and P2 push buttons must be changed the factory default call code (for example "32" in P1 and "31" in P2), see page 28.

NEXA MODULAR G2+ AUDIO AND VIDEO DOOR ENTRY SYSTEM - BUILDING 13

INSTALLATION OF THE DOOR PANEL

Continued from previous page.



NEXA MODULAR G2+ AUDIO AND VIDEO DOOR ENTRY SYSTEM - BUILDING 14

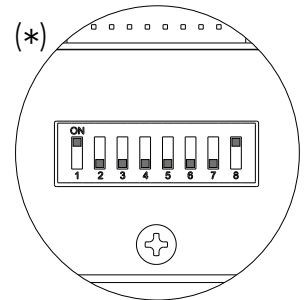
INSTALLATION OF THE DOOR PANEL

Configuring the button code (audio only installation up to 128 terminals/apartments with EL642 G2+ sound module):

The EL610D button module needs to be configured in order to assign a call code to the buttons. Carry out this configuration with the DIP switch located at the back of the module.

Depending on the configuration option selected, the buttons will be assigned with a certain call code.

To configure the call code on the monitors. It is worth noting the call code of each button, as shown in the table below.



IMPORTANT: Only audio installation up to 128 terminals/apartments with EL642 G2+ sound module.

EL610D button module

Double button module codes

| | | DIP switch | | | | | | | | Button code | | | | | | | | | |
|-----------------------------|----|------------|------|------|------|------|------|------|------|-------------|-----|-----|-----|-----|-----|-----|-----|-----|-----|
| | | Dip1 | Dip2 | Dip3 | Dip4 | Dip5 | Dip6 | Dip7 | Dip8 | P1 | P2 | P3 | P4 | P5 | P6 | P7 | P8 | P9 | P10 |
| Module configuration option | 1 | On | Off | Off | Off | Off | Off | Off | On | 1 | 2 | 3 | 4 | 5 | 6 | 7 | 8 | 9 | 10 |
| | 2 | Off | On | Off | Off | Off | Off | Off | On | 11 | 12 | 13 | 14 | 15 | 16 | 17 | 18 | 19 | 20 |
| | 3 | Off | Off | On | Off | Off | Off | Off | On | 21 | 22 | 23 | 24 | 25 | 26 | 27 | 28 | 29 | 30 |
| | 4 | Off | Off | Off | On | Off | Off | Off | On | 31 | 32 | 33 | 34 | 35 | 36 | 37 | 38 | 39 | 40 |
| | 5 | Off | Off | Off | Off | On | Off | Off | On | 41 | 42 | 43 | 44 | 45 | 46 | 47 | 48 | 49 | 50 |
| | 6 | Off | Off | Off | Off | Off | On | Off | On | 51 | 52 | 53 | 54 | 55 | 56 | 57 | 58 | 59 | 60 |
| | 7 | Off | Off | Off | Off | Off | Off | On | On | 61 | 62 | 63 | 64 | 65 | 66 | 67 | 68 | 69 | 70 |
| | 8 | On | Off | Off | Off | Off | Off | Off | Off | 71 | 72 | 73 | 74 | 75 | 76 | 77 | 78 | 79 | 80 |
| | 9 | Off | On | Off | Off | Off | Off | Off | Off | 81 | 82 | 83 | 84 | 85 | 86 | 87 | 88 | 89 | 90 |
| | 10 | Off | Off | On | Off | Off | Off | Off | Off | 91 | 92 | 93 | 94 | 95 | 96 | 97 | 98 | 99 | 100 |
| | 11 | Off | Off | Off | On | Off | Off | Off | Off | 101 | 102 | 103 | 104 | 105 | 106 | 107 | 108 | 109 | 110 |
| | 12 | Off | Off | Off | Off | On | Off | Off | Off | 111 | 112 | 113 | 114 | 115 | 116 | 117 | 118 | 119 | 120 |
| | 13 | Off | Off | Off | Off | Off | On | Off | Off | 121 | 122 | 123 | 124 | 125 | 126 | 127 | 128 | - | - |

(1) P1- P10: Button 1 - button 10

Note: EL642 G2+ module V02 & later, factory default with the code "128" in P1 and "128" in P2.

Note: EL642 G2+ module V01, factory default with the code "32" in P1 and "31" in P2.

Note: EL642 G2+ module V01, P1 and P2 push buttons must be changed the factory default call code (for example "128" in P1 and "127" in P2), see page 28.

Important: Select a different configuration option for each EL610D module.

(*) Factory default.

NEXA MODULAR G2+ AUDIO AND VIDEO DOOR ENTRY SYSTEM - BUILDING 15

INSTALLATION OF THE DOOR PANEL

Continued from previous page.

EL610D button module Single button module codes

| | | DIP switch | | | | | | | | Button code | | | | | (1) |
|-----------------------------|----|------------|------|------|------|------|------|------|------|-------------|----|----|----|----|-----|
| | | Dip1 | Dip2 | Dip3 | Dip4 | Dip5 | Dip6 | Dip7 | Dip8 | P1 | P3 | P5 | P7 | P9 | |
| Module configuration option | 1 | On | Off | Off | Off | Off | Off | Off | On | 1 | 2 | 3 | 4 | 5 | (*) |
| | 2 | Off | On | Off | Off | Off | Off | Off | On | 6 | 7 | 8 | 9 | 10 | |
| | 3 | Off | Off | On | Off | Off | Off | Off | On | 11 | 12 | 13 | 14 | 15 | |
| | 4 | Off | Off | Off | On | Off | Off | Off | On | 16 | 17 | 18 | 19 | 20 | |
| | 5 | Off | Off | Off | Off | On | Off | Off | On | 21 | 22 | 23 | 24 | 25 | |
| | 6 | Off | Off | Off | Off | Off | On | Off | On | 26 | 27 | 28 | 29 | 30 | |
| | 7 | Off | Off | Off | Off | Off | Off | On | On | 31 | 32 | 33 | 34 | 35 | |
| | 8 | On | Off | Off | Off | Off | Off | Off | Off | 36 | 37 | 38 | 39 | 40 | |
| | 9 | Off | On | Off | Off | Off | Off | Off | Off | 41 | 42 | 43 | 44 | 45 | |
| | 10 | Off | Off | On | Off | Off | Off | Off | Off | 46 | 47 | 48 | 49 | 50 | |
| | 11 | Off | Off | Off | On | Off | Off | Off | Off | 51 | 52 | 53 | 54 | 55 | |
| | 12 | Off | Off | Off | Off | On | Off | Off | Off | 56 | 57 | 58 | 59 | 60 | |
| | 13 | Off | Off | Off | Off | Off | On | Off | Off | 61 | 62 | 63 | 64 | 65 | |
| | 14 | Off | Off | Off | Off | Off | Off | On | Off | 66 | 67 | 68 | 69 | 70 | |

(1)P1- P10: Button 1 - button 10

Note: EL642 G2+ module V02 & later, factory default with the code "128" in P1.
EL642 G2+ module V01, factory default with the code "32" in P1.

Note: EL642 G2+ module, P1 push button must be changed the call code for example "71" in P1, (see page 28).

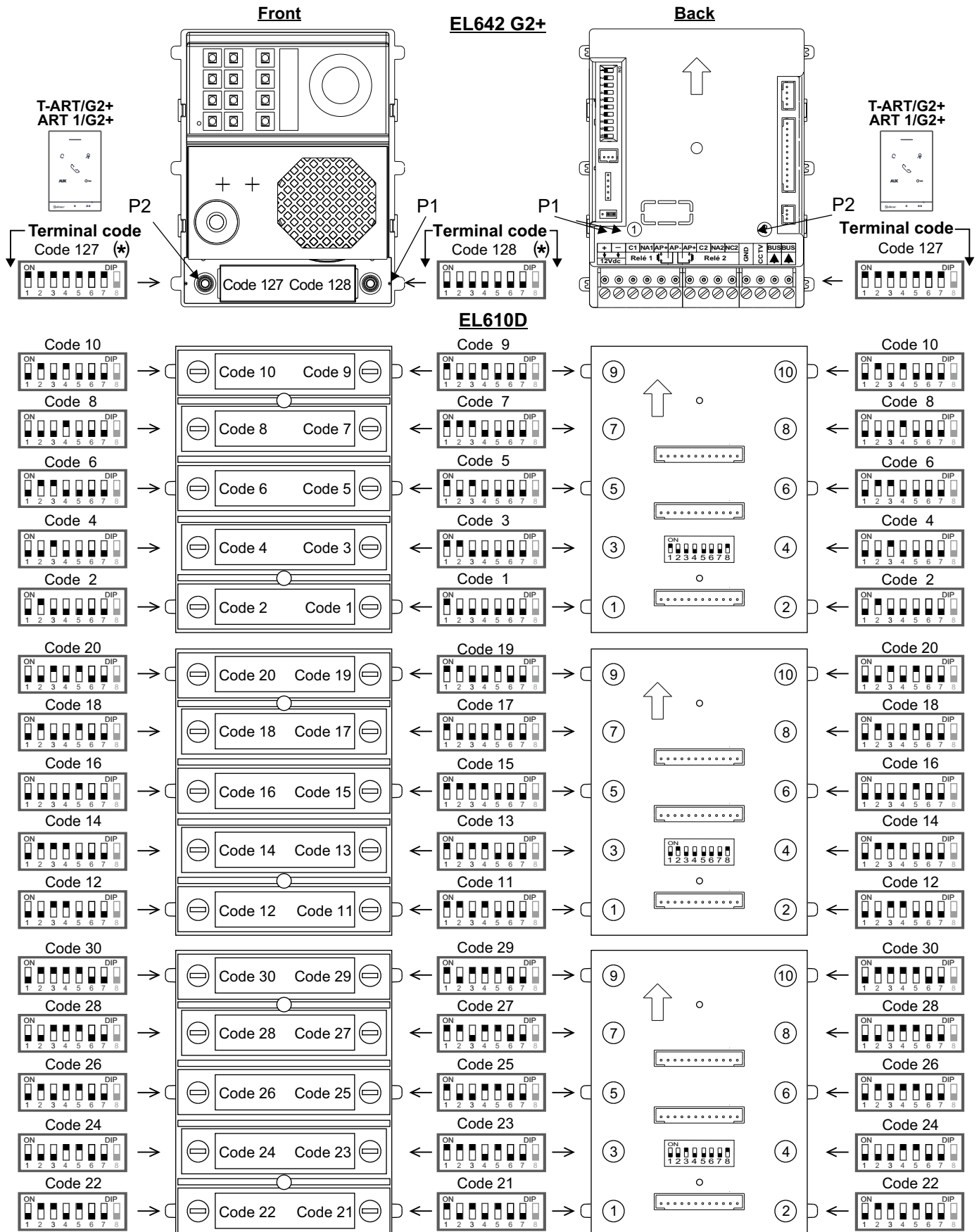
Important: Select a different configuration option for each EL610D module.

(*) Factory default.

NEXA MODULAR G2+ AUDIO AND VIDEO DOOR ENTRY SYSTEM - BUILDING 16

INSTALLATION OF THE DOOR PANEL

Configuring double button module codes (up to 128 terminals/apartments):

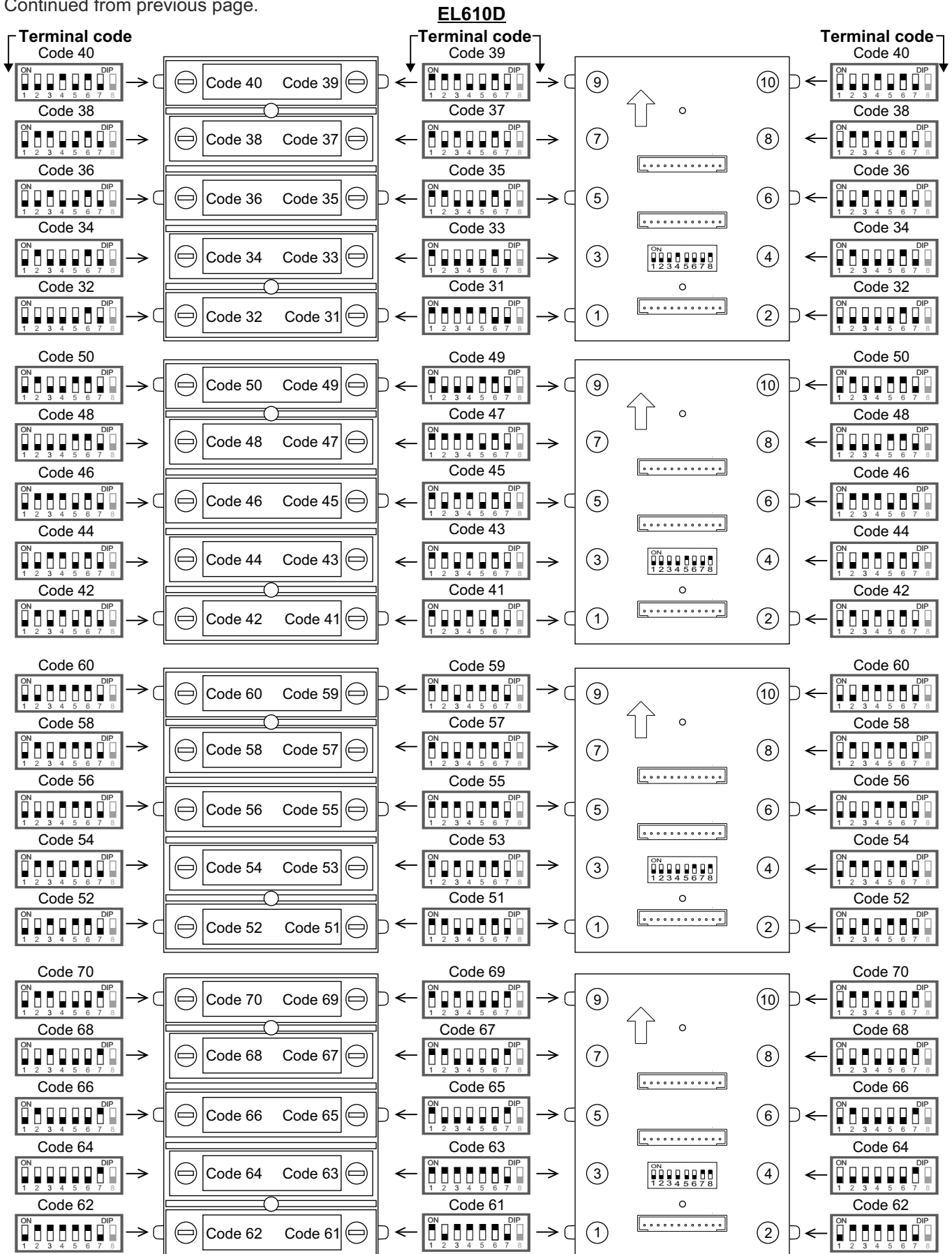


(*) Note: EL642 G2+ module V02 & later, factory default with the code "128" in P1 and "128" in P2.

NEXA MODULAR G2+ AUDIO AND VIDEO DOOR ENTRY SYSTEM - BUILDING 17

INSTALLATION OF THE DOOR PANEL

Continued from previous page.

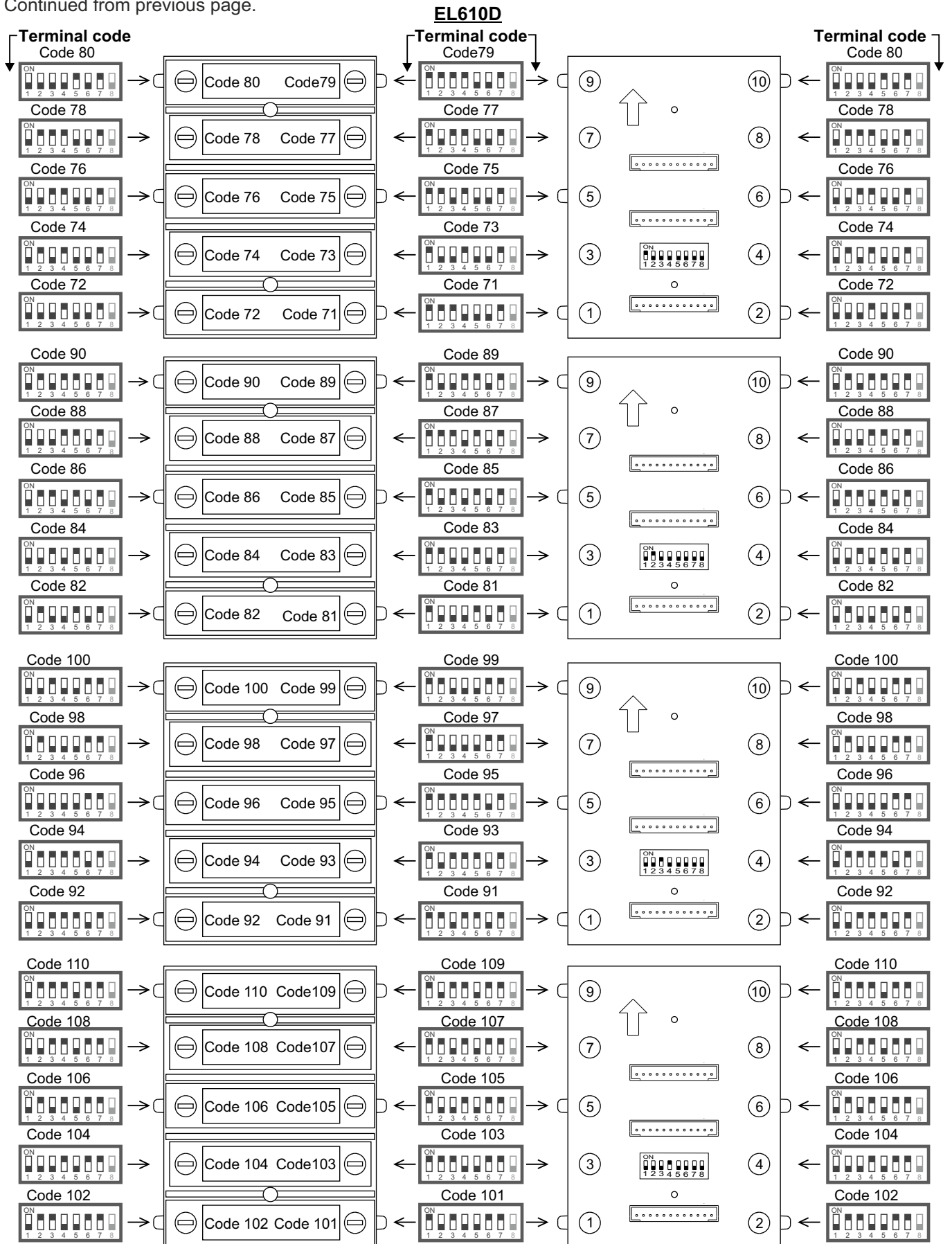


Continued overleaf

NEXA MODULAR G2+ AUDIO AND VIDEO DOOR ENTRY SYSTEM - BUILDING 18

INSTALLATION OF THE DOOR PANEL

Continued from previous page.

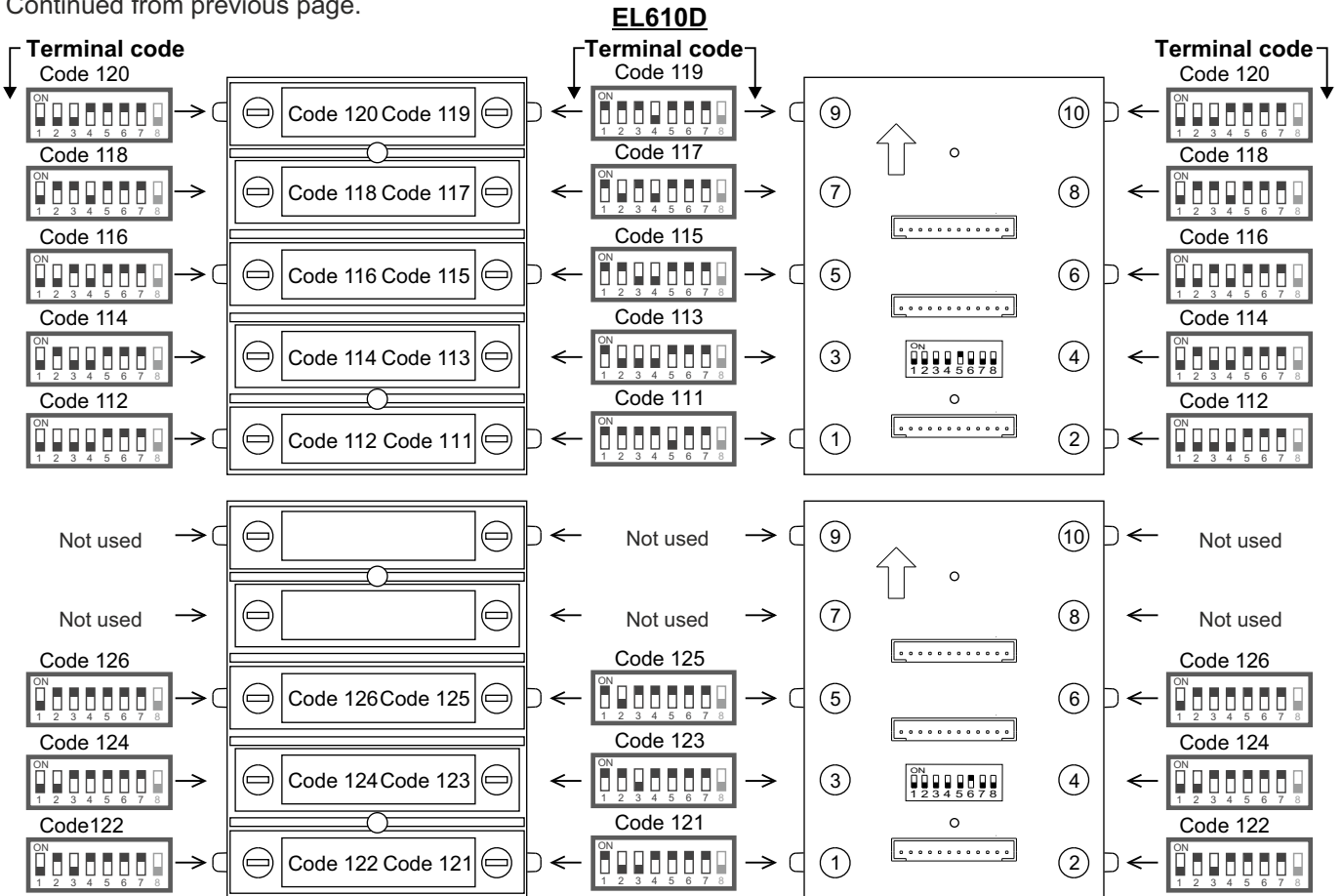


Continued overleaf

NEXA MODULAR G2+ AUDIO AND VIDEO DOOR ENTRY SYSTEM - BUILDING 19

INSTALLATION OF THE DOOR PANEL

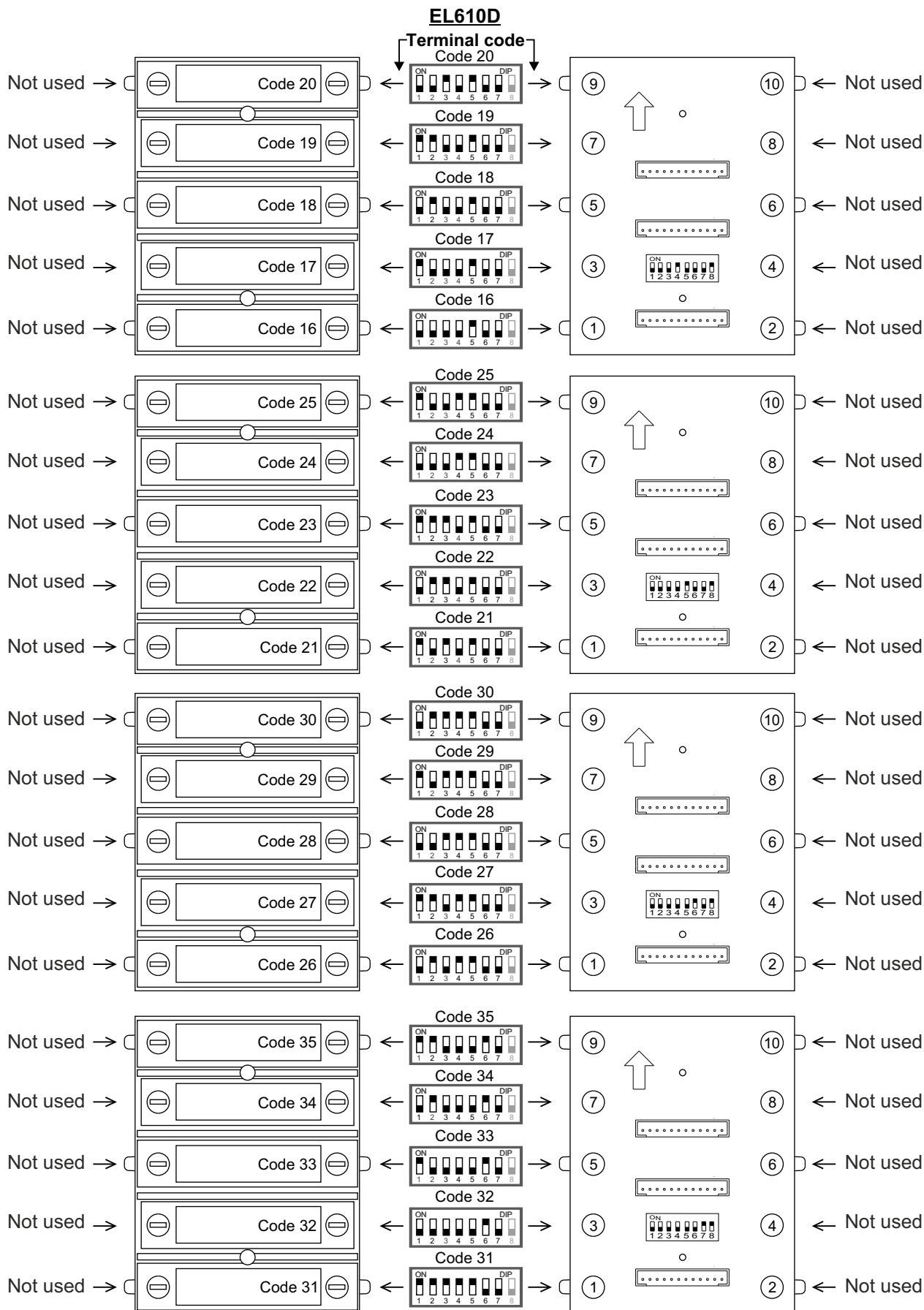
Continued from previous page.



NEXA MODULAR G2+ AUDIO AND VIDEO DOOR ENTRY SYSTEM - BUILDING 21

INSTALLATION OF THE DOOR PANEL

Continued from previous page.

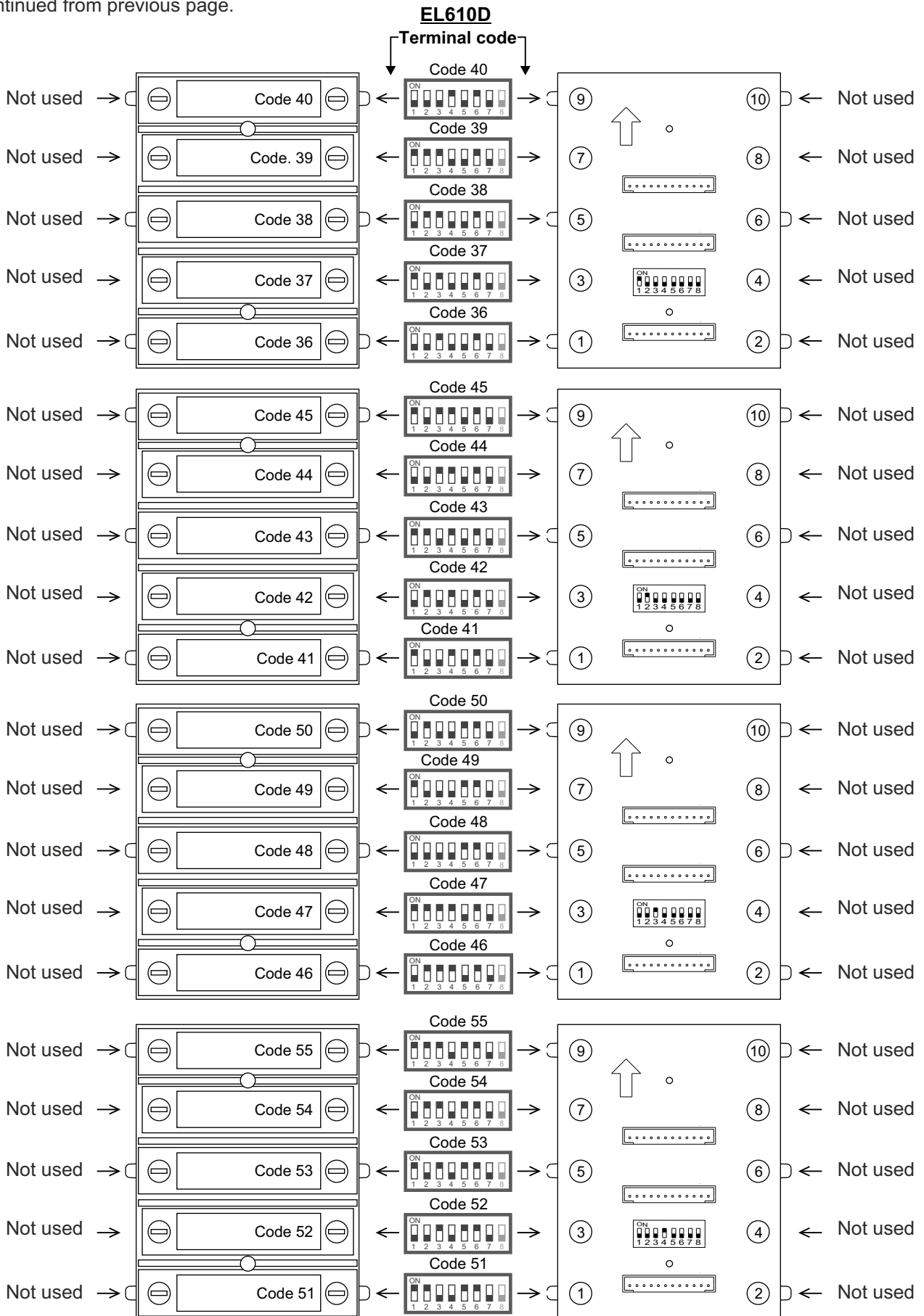


Continued overleaf

NEXA MODULAR G2+ AUDIO AND VIDEO DOOR ENTRY SYSTEM - BUILDING 22

INSTALLATION OF THE DOOR PANEL

Continued from previous page.

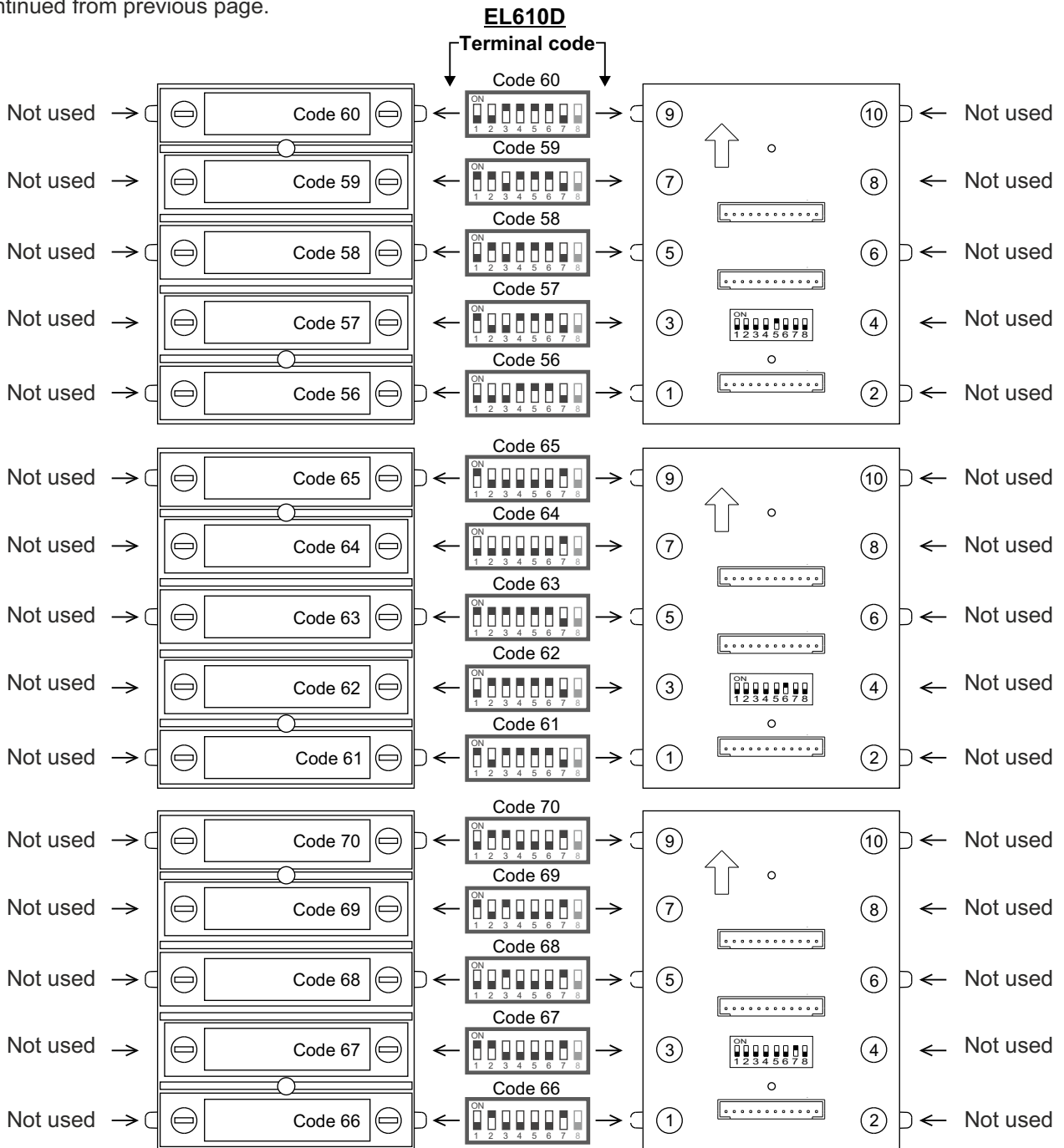


Continued overleaf

NEXA MODULAR G2+ AUDIO AND VIDEO DOOR ENTRY SYSTEM - BUILDING 23

INSTALLATION OF THE DOOR PANEL

Continued from previous page.

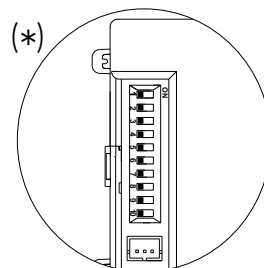


NEXA MODULAR G2+ AUDIO AND VIDEO DOOR ENTRY SYSTEM - BUILDING 24

INSTALLATION OF THE DOOR PANEL

Description of the EL632 G2+ SE / EL642 G2+ sound module DIP switch:

The DIP switch is located on the top left side of the back of the module.



Door panel address:
Dip switches 1 & 2 leave to OFF position (address 1).



Leave to the OFF position for door panels with double button and set to ON for door panels with single button.



To Select the vocal synthesis language or tones mode (for call in progress, missed call, door open and call finished) of the door panel. Factory default: vocal synthesis with Spanish language (see page 27).



Leave to ON position on the door panels where the "automatic door opening" (Doctor Mode) function is not desired and set to OFF on the door panels where the "automatic door opening" (Doctor Mode) function is desired. **Important:** This function is available with the EL632/G2+ SE module with V07 and later, with the EL642/G2+ module with V05 and later. **Note:** For "Doctor Mode" settings on the apartment master monitor/ telephone, see the quick guide enclosed with the corresponding monitor/telephone.



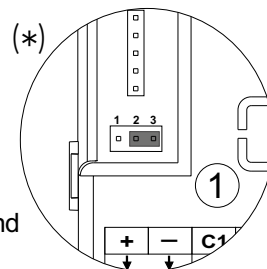
To program the P1 and P2 buttons with another call code (see page 28).
Remember: Leave Dip 10 to OFF after finishing the work to change the call code.

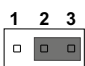
(*) Factory default.

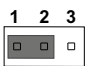
Audio level jumper description (vocal synthesis and tones mode) EL632 G2+ SE / EL642 G2+ module:

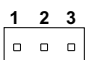
Audio level jumper is located on the left side of the back module.

The jumper for volume control, allows to select between a minimum, maximum or mute of the vocal synthesis and tones mode from the door panel.



(*)  Jumper placed between 2 and 3, set to minimum volume the vocal synthesis and tones from the door panel.

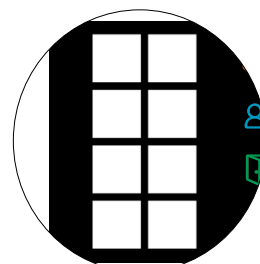
 Jumper placed between 1 and 2, set to maximum volume the vocal synthesis and tones from the door panel.

 Jumper removed, set to mute volume the vocal synthesis and tones from the door panel.

(*) Factory default.

Description of the LED lights (low light conditions) EL632 G2+ SE module:

The door panel lighting LEDs will turn on during a call if the door panel lighting at that moment is low. This enables the user to view the person who has called from the apartment monitor.

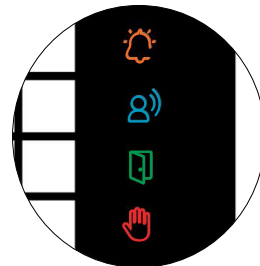




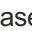



NEXA MODULAR G2+ AUDIO AND VIDEO DOOR ENTRY SYSTEM - BUILDING 25

INSTALLATION OF THE DOOR PANEL

Description of the visual signals on the door panel (EL632 G2+ SE / EL642 G2+ module):

Visual signals on the door panel for people with impaired hearing:



- While calling: LED  will illuminate during in call process.
- During communication: LED  will illuminate during the communication process.
- During door release: LED  will illuminate during door release.
- End of communication: LED  will turn off.
- Calling at one door panel while another door panel is communicating (if there is more than one door panel): LED  will illuminate for 3 seconds.
- While calling and the monitor is in "Do not disturb" mode: LED  will illuminate during in call process.
- While calling (apartment with no monitor or audio terminal): No visual indication.

Description of the vocal synthesis (audible signals on the door panel) EL632 G2+ SE / EL642 G2+:

Audible signals on the door panel for people with impaired vision.

If vocal synthesis is enabled on the sound module (see page 27 for configuration), the following voice messages can be heard on the door panel:

- While calling: "Call is in progress".
- During door release: "Door Opened".
- End of communication: "Communication is finished".
- Calling at one door panel while another door panel is communicating (if there is more than one door panel): "System is busy, try later".
- While calling and the monitor is in "Do not disturb" mode: "Call is in progress".
- While calling (apartment with no monitor or audio terminal): "Call is in progress - Resident unavailable".

Tones mode description (audible signals on the door panel) EL632 G2+ SE / EL642 G2+:

Tones mode audible signals on the door panel.

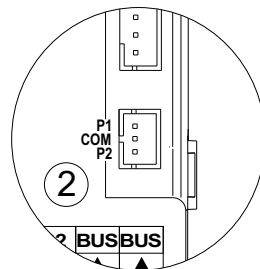
If tones mode is enabled on the sound module (see page 27 for configuration), the following tones can be heard on the door panel:

- While calling: 2 long tones.
- During door release: 1 long tone.
- End of communication: No audible signals.
- Calling at one door panel while another door panel is communicating (if there is more than one door panel): 5 short tones.
- While calling and the monitor is in "Do not disturb" mode: 2 long tones.
- While calling (apartment with no monitor or audio terminal): 2 long tones and 5 short tones.

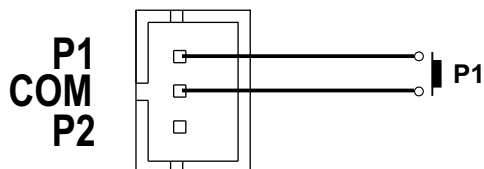
Description of the P1 and P2 external buttons (EL632 G2+ SE / EL642 G2+ sound module):

The connector is located on the right side of the back sound module.

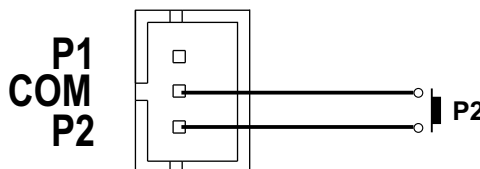
Insert the connection cable supplied with module to connect the external call buttons P1 and P2 of the sound module.



External button P1



External button P2



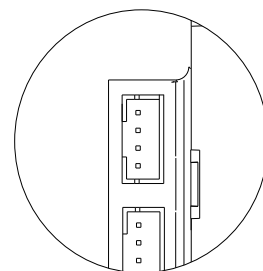
NEXA MODULAR G2+ AUDIO AND VIDEO DOOR ENTRY SYSTEM - BUILDING 26

INSTALLATION OF THE DOOR PANEL

Description of the connector to CD-NEXA/G2+ digital converter module (EL632 G2+ SE/ EL642 G2+):

The connector to Nexa Bus through the **CD-NEXA/G2+ converter**, is located at the upper right side of the back of the sound module.

Insert the connection cable that it is supplied with the sound module and the other end of the connection cable in the CD-NEXA/G2+ converter and from CD-NEXA/G2+ converter to connect with the next Nexa modules:



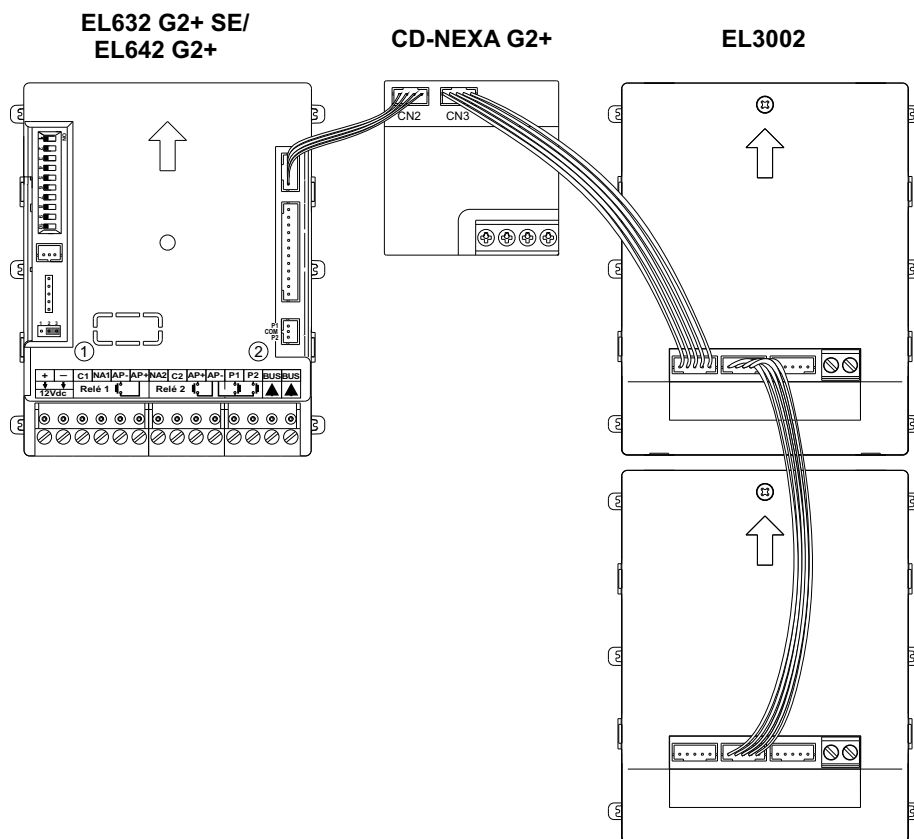
- ⇒ N3403/AL: Connect to the module to add to the system with a graphic display module coded panel.
- ⇒ N3301/AL: Connect to the module to add to the system with an access control module and coded panel.
- ⇒ N3301A/AL: Connect to the module to add to the system with an alphabetic module.
- ⇒ EL4502/NFC: Connect to the module to add the system with an NFC access control.
- ⇒ EL3002: Connect to power the illumination.
- ⇒ CD-NEXA/BT: Connect to the module to add to the system with a configuration RFC interface (wireless device of 2,4 Ghz). Only for N3301 and N3403 modules.

Note: Up to 3 Nexa modules can be connected (without additional power supply).
For more information contact with our technical support department.

Connection with EL3002 illumination modules (EL632 G2+ SE/ EL642 G2+ sound modules):

Insert the connection cable that it is supplied with CD-NEXA G2+ converter, in the sound module connector and the other end of the connection cable in CN2 connector of the CD-NEXA G2+ converter, then insert the connection cable that is supplied with EL3002 illumination module in CN3 connector of the CD-NEXA G2+ converter and the other end of the connection cable in any of the three connectors placed at the bottom of the EL3002 illumination module.

To connect to other illumination modules use any of the two free connectors.

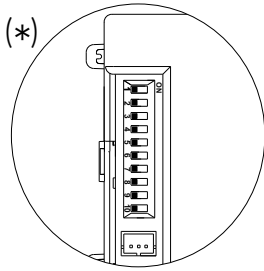


NOTE: Only the EL632 G2+ SE or EL642 G2+ sound module must be connected to power supply. The EL3002 illumination module takes the power through it has been connected to the CD-NEXA G2+ converter and the sound module, (see above connection drawing).

NEXA MODULAR G2+ AUDIO AND VIDEO DOOR ENTRY SYSTEM - BUILDING 27

INSTALLATION OF THE DOOR PANEL

Selecting vocal synthesis language or tones mode (EL632 G2+ SE / EL642 G2+ module):



The configuration Dip switch is located on the top left side of the back of the module.

If you want to change the language of the vocal synthesis or select the tones mode of the door panel, configure dips 4 to 8 of the configuration Dip switch (page 24), see the following selection table:

| Vocal Synthesis | Dip4 | Dip5 | Dip6 | Dip7 | Dip8 |
|-------------------|------|------|------|------|------|
| (*) Español | OFF | OFF | OFF | OFF | OFF |
| Catalán | ON | OFF | OFF | OFF | OFF |
| Gallego | OFF | ON | OFF | OFF | OFF |
| Vasco | ON | ON | OFF | OFF | OFF |
| Tones Mode | OFF | OFF | ON | OFF | OFF |
| Arabic | ON | OFF | ON | OFF | OFF |
| Bulgarian | OFF | ON | ON | OFF | OFF |
| Croatian | ON | ON | ON | OFF | OFF |
| Czech | ON | OFF | OFF | ON | OFF |
| Dansk | ON | OFF | OFF | ON | OFF |
| Dutch | OFF | ON | OFF | ON | OFF |
| English | ON | ON | OFF | ON | OFF |
| French | OFF | OFF | ON | ON | OFF |
| German | ON | OFF | ON | ON | OFF |
| Greek | OFF | ON | ON | ON | OFF |
| Hungarian | ON | ON | ON | ON | OFF |
| Italian | OFF | OFF | OFF | OFF | ON |
| Norwegian | ON | OFF | OFF | OFF | ON |
| Polish | OFF | ON | OFF | OFF | ON |
| Portuguese | ON | ON | OFF | OFF | ON |
| Romanian | OFF | OFF | ON | OFF | ON |
| Russian | ON | OFF | ON | OFF | ON |
| Serbian | OFF | ON | ON | OFF | ON |
| Slovak | ON | ON | ON | OFF | ON |
| Swedish | OFF | OFF | OFF | ON | ON |
| Turkish | ON | OFF | OFF | ON | ON |



(*) Factory default.

INSTALLATION OF THE DOOR PANEL

Change the call code of the P1 and P2 button of the EL632 G2+ SE / EL642 G2+ module:

If you want to change the call code of button P1 of the sound module, follow these steps:
(Factory value P1 = 128). **Note: see pages 10,14 and 15.**

- 1- In the sound module configuration Dip switch (see page 24), set **Dip8 to OFF**.
- 2- Then set **Dip1 to Dip7** the new call code. **Note: see pages 10,14 and 15.**

The Dip switches placed in the OFF position have a value of zero and in the ON position they have been assigned the values in the attached table.

The calling code will be equal to the sum of the values of the Dip switches set to ON.

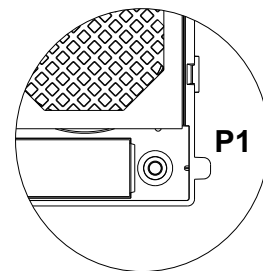
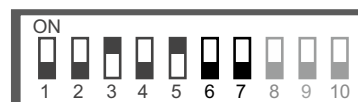


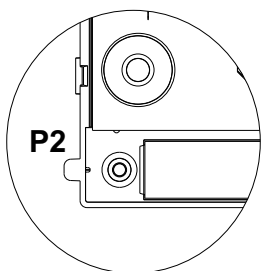
Table of values

| | | | | | | | |
|----------------|---|---|---|---|----|----|----|
| Switch number: | 1 | 2 | 3 | 4 | 5 | 6 | 7 |
| Value when ON: | 1 | 2 | 4 | 8 | 16 | 32 | 64 |



Example: $0 + 0 + 4 + 0 + 16 + 0 + 0 = 20$

- 3- Set the **Dip 10 to ON**, a tone will confirm that the new call code has been successfully programmed.
- 4- Set the **Dip 10 to OFF** and Dips 1 to 8 as previously configured (address door panel, double / single button and language or tone mode).



If you want to change the call code of button P2 of the sound module, follow these steps:
(Factory value P2 = 127). **Note: see pages 10,14 and 15.**

- 1- In the sound module configuration Dip switch (see page 24), set **Dip8 to ON**.
- 2- Then set **Dip1 to Dip7** the new call code. **Note: see pages 10,14 and 15.**

The Dip switches placed in the OFF position have a value of zero and in the ON position they have been assigned the values in the attached table.

The calling code will be equal to the sum of the values of the Dip switches set to ON.

Table of values

| | | | | | | | |
|----------------|---|---|---|---|----|----|----|
| Switch number: | 1 | 2 | 3 | 4 | 5 | 6 | 7 |
| Value when ON: | 1 | 2 | 4 | 8 | 16 | 32 | 64 |

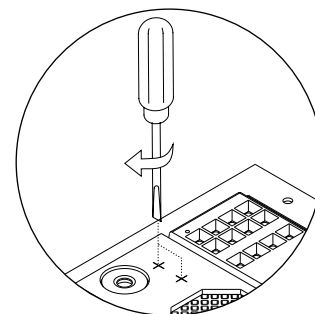
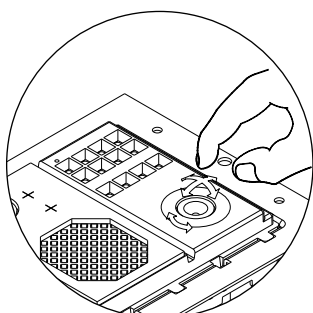


Example: $0 + 0 + 4 + 0 + 16 + 0 + 0 = 20$

- 3- Set the **Dip 10 to ON**, a tone will confirm that the new call code has been successfully programmed.
- 4- Set the **Dip 10 to OFF** and Dips 1 to 8 as previously configured (address door panel, double / single button and language or tone mode).

Final adjustments:

If after starting the system it's considered that audio volume isn't correct, proceed with the necessary adjustments as shown in the drawing.

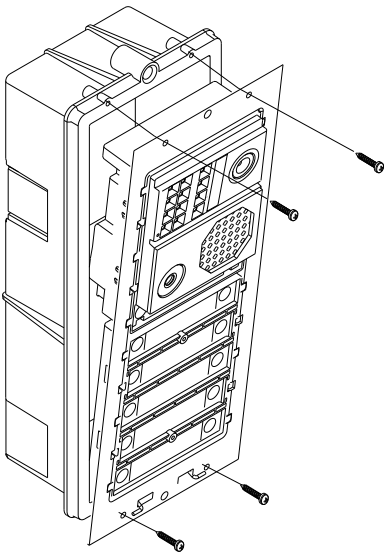


The telecamera has a pan and tilt mechanism built in to adjust the telecamera position (only EL632 G2+ SE).

NEXA MODULAR G2+ AUDIO AND VIDEO DOOR ENTRY SYSTEM - BUILDING 29

INSTALLATION OF THE DOOR PANEL

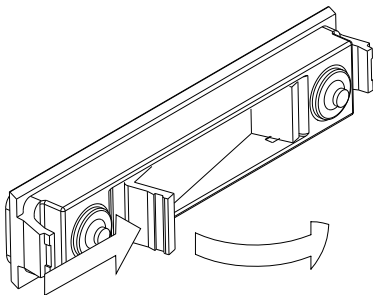
Closing the frame:



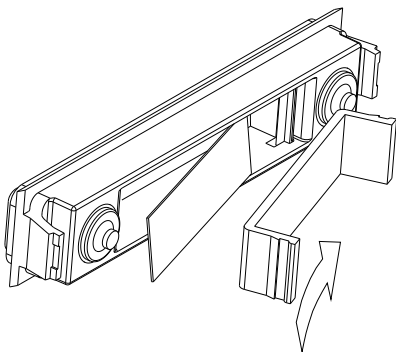
Once the wiring and configuration work is done, fix the frame to the embedding box using the screws supplied.

Important: Before closing the door panel(s) make a test call to any apartment to ensure that everything works correctly.

Inserting the button identification labels:



Open the label holder window.



Place the label and close.

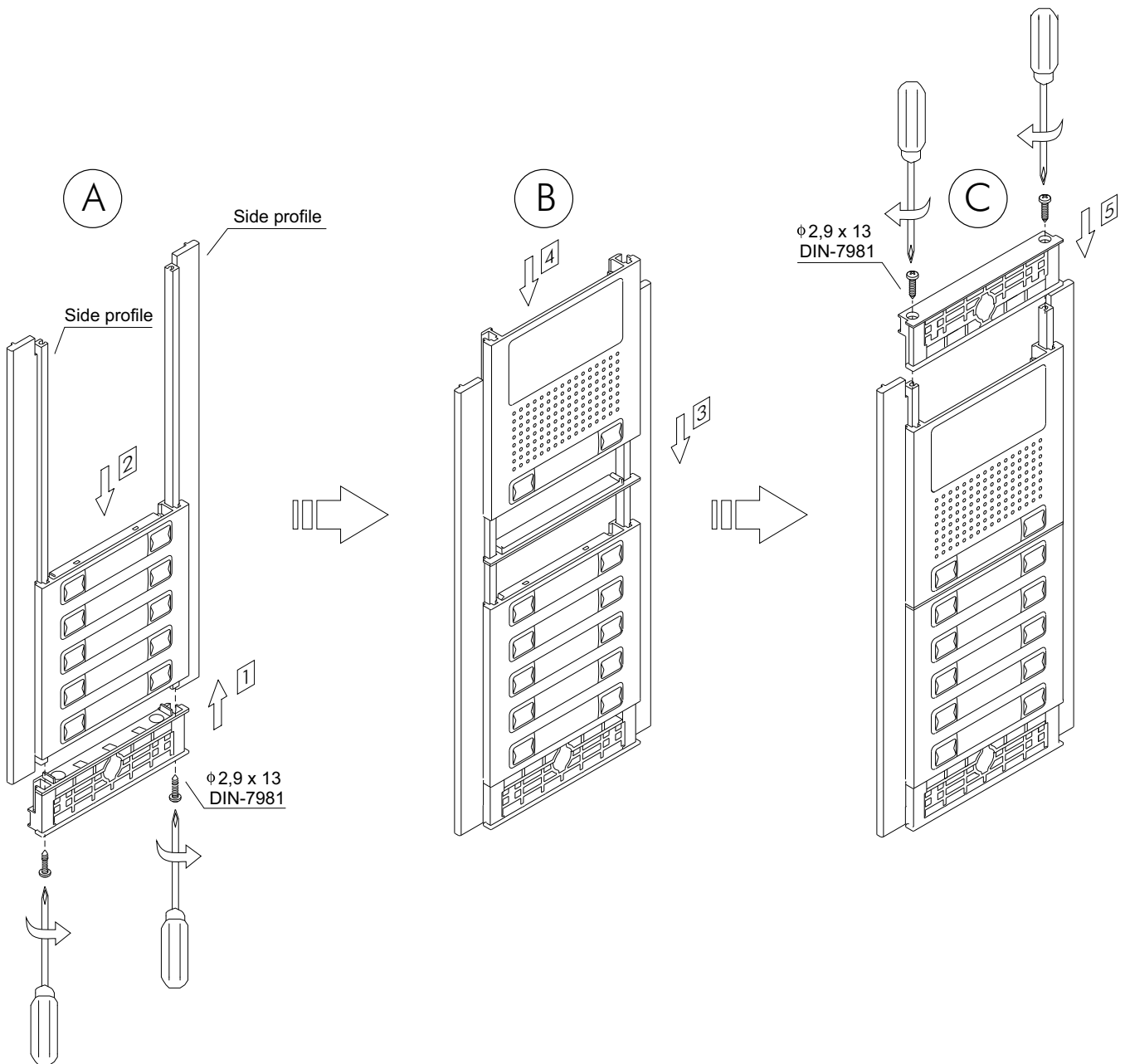
INSTALLATION OF THE DOOR PANEL

Mounting the modules of a door panel:

Insert a clip-on cover into the side profiles (from the bottom) and fix it using the screws specified (step 1) and then insert the module (step 2). If the door panel has more than one module, insert the lower module first, see figure (A).

Insert the module separator (step 3) and then the next module (step 4), see figure (B). Repeat this process on door panels with more than one module (the maximum number of modules that can be linked vertically is three).

To finish, insert the second clip-on cover (step 5) into the side profiles (from the top) and fix it using the screws specified, see figure (C).



INSTALLATION OF THE DOOR PANEL

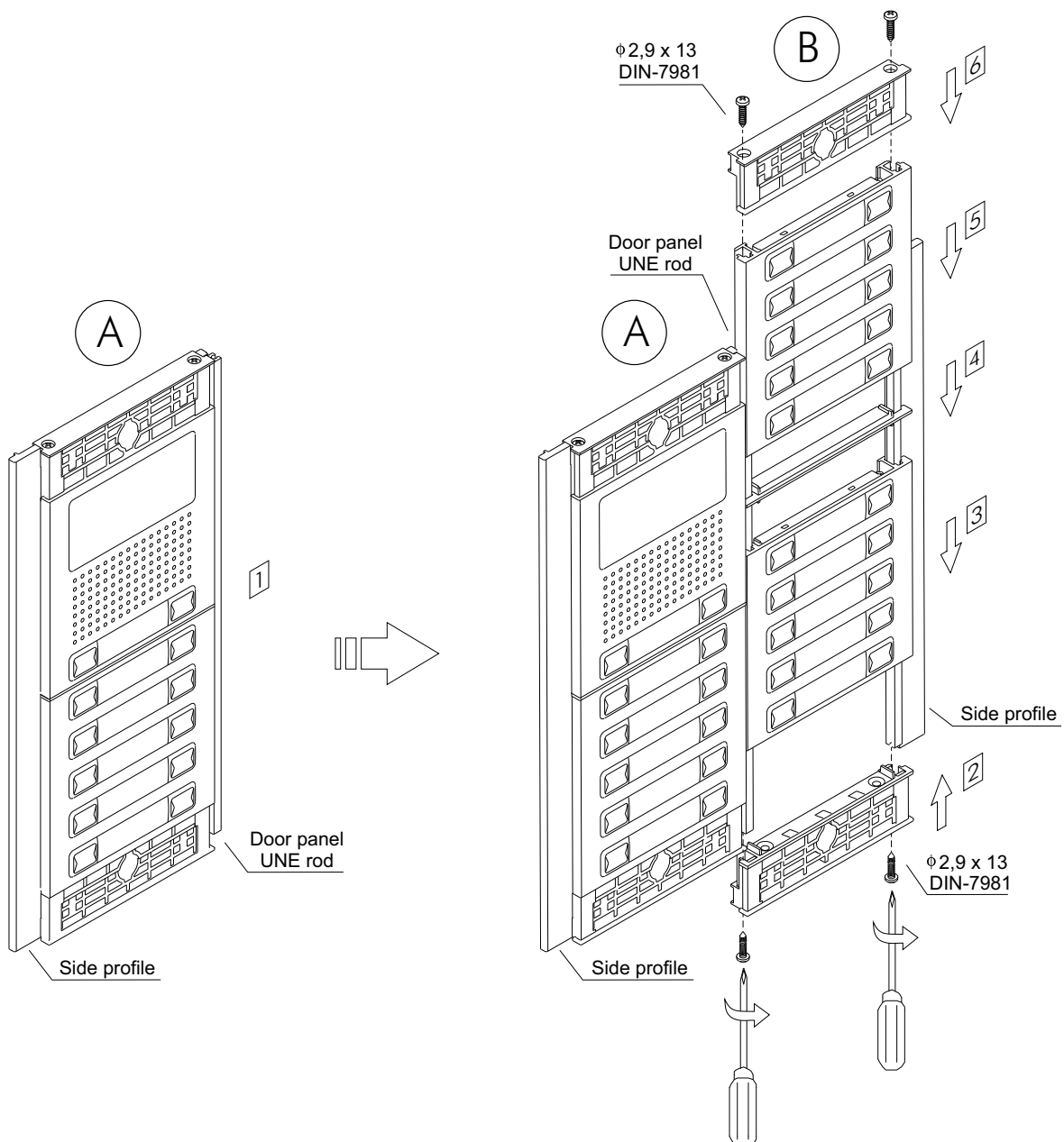
Mounting the modules of a double door panel:

Mount door panel (A) (step 1) as described in 'Mounting the modules of a door panel' (see page 30), taking into account that the bar connecting panel (A) and panel (B) must be a door panel UNE rod, see drawing below.

Insert a clip-on cover between the door panel UNE rod and the second side profile (from the bottom) and fix it using the screws specified (step 2), then insert the module (step 3). If the door panel has more than one module, insert the lower module first.

Insert the module separator (step 4) and then the next module (step 5). Repeat this process on door panels with more than one module (the maximum number of modules that can be linked vertically is three).

To finish, insert the final clip-on cover between the door panel UNE rod and the second side profile (from the top) and fix it using the screws specified (step 6).



IMPORTANT: Once the adjustments are completed, stick the adhesive joint (enclosed with the N60XX CMPL end piece set) to the door panel UNE rod.

NEXA MODULAR G2+ AUDIO AND VIDEO DOOR ENTRY SYSTEM - BUILDING 32

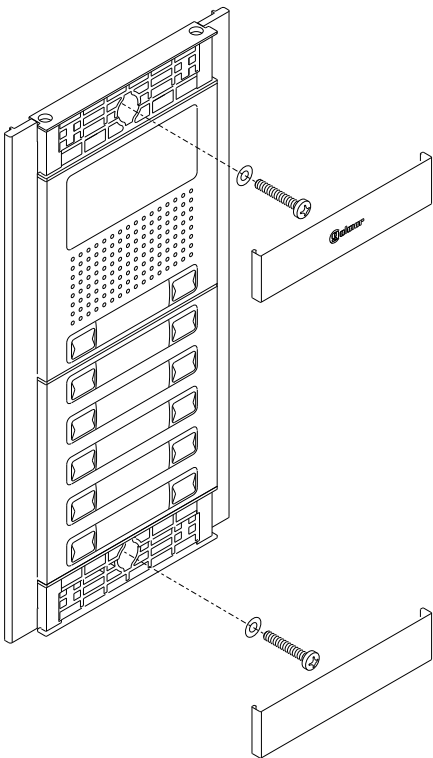
INSTALLATION OF THE DOOR PANEL

Closing the door panel:

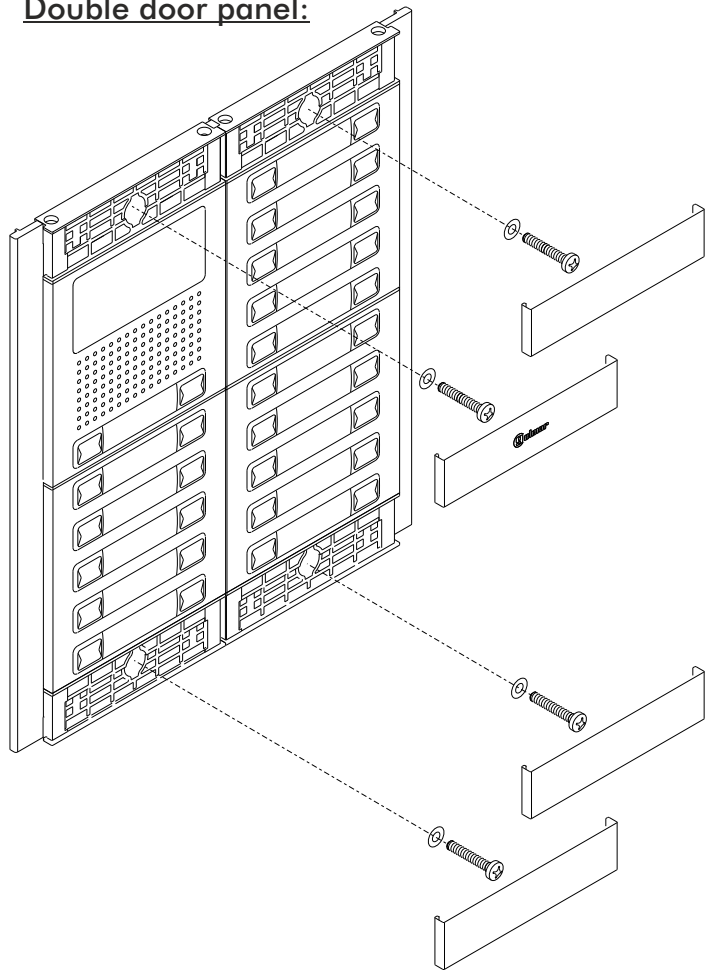
Fix the door panel to the embedding box using the screws supplied.

To complete the fitting of the panel, attach the clip-on covers by positioning one end and then applying slight pressure to the other end until they clip into place.

Single door panel:



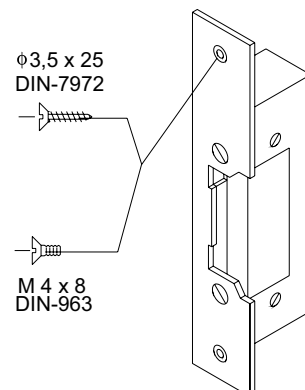
Double door panel:



INSTALLATION OF THE LOCK RELEASE

Installing the lock release:

If the lock release is to be fitted to a metal door, use a $\text{Ø}3.5\text{mm}$ drill bit and thread the hole made. For wooden doors, use a $\text{Ø}3\text{mm}$ drill bit.

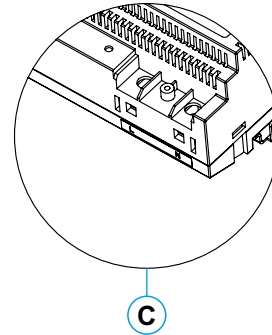
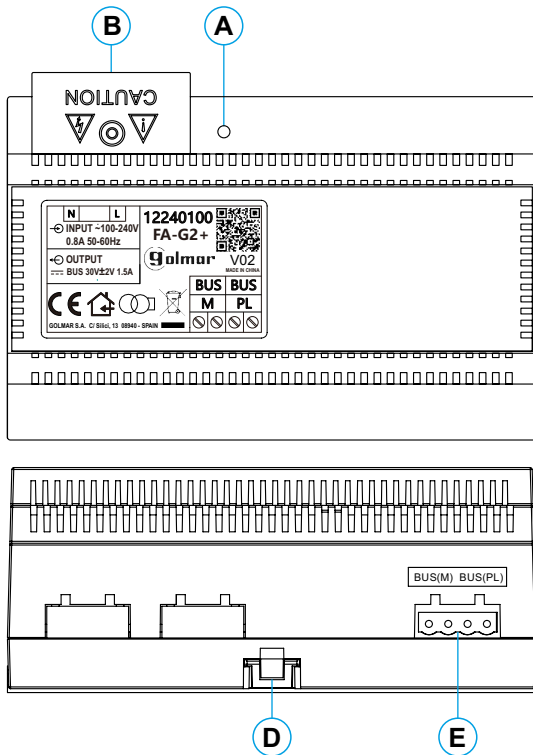


IMPORTANT:

- The lock release must be 12V DC or AC (Golmar).
(See pages 49 and 52 for a.c. lock release and pages. 34-45 and 49-52 for d.c lock release).
- The sound module is supplied with two varistors. If connecting an a.c. lock release to one of the outputs, fit the varistor supplied directly to the lock release terminals to ensure the device functions correctly.

FA-G2+ POWER SUPPLY

Description of the FA-G2+ power supply:



- A. On/off indicator light.
- B. Protective cover for the current input.
- C. Detail of current input terminals without protective cover.
- D. Fastening tab on DIN rail.
- E. Installation terminals.

Specification

| | |
|-----------------------|--------------|
| Input Voltage: | 100~240Vca |
| Input Frequency: | 50~60 Hz |
| Rated Output Voltage: | 30 Vdc ± 2V |
| Rated Output Current: | 1,5A |
| Working Temperature: | -10°C ~ 40°C |
| Dimensions: | 140*90*60mm |

Installation of the FA-G2+ power supply:

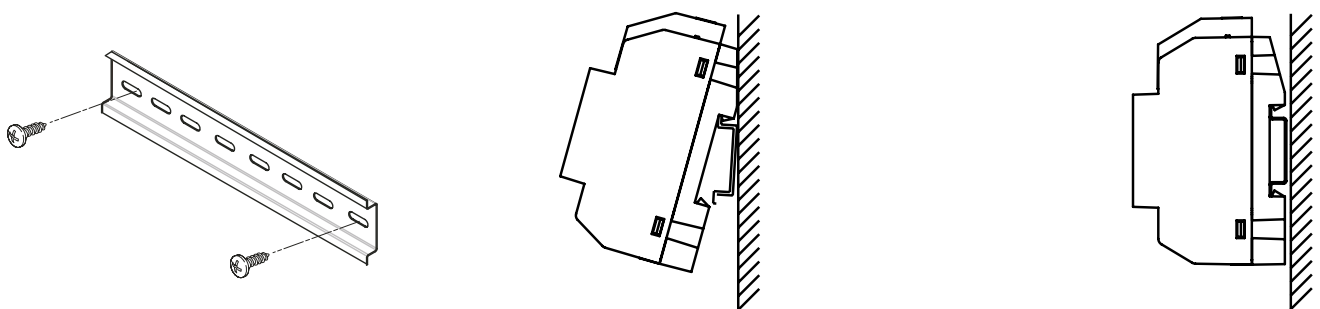
The fitting and handling of the power supply must be carried out by authorised personnel in the absence of electrical current.

Install the power supply in a dry, protected and ventilated location. Make sure that the vents are not obstructed. Use a DIN 46277 rail for fastening (8 elements).

Note that current regulations stipulate that the power supply must be protected by a circuit breaker.

To prevent electric shock, do not remove the protective cover without first disconnecting the power supply. Replace it once all connections have been made.

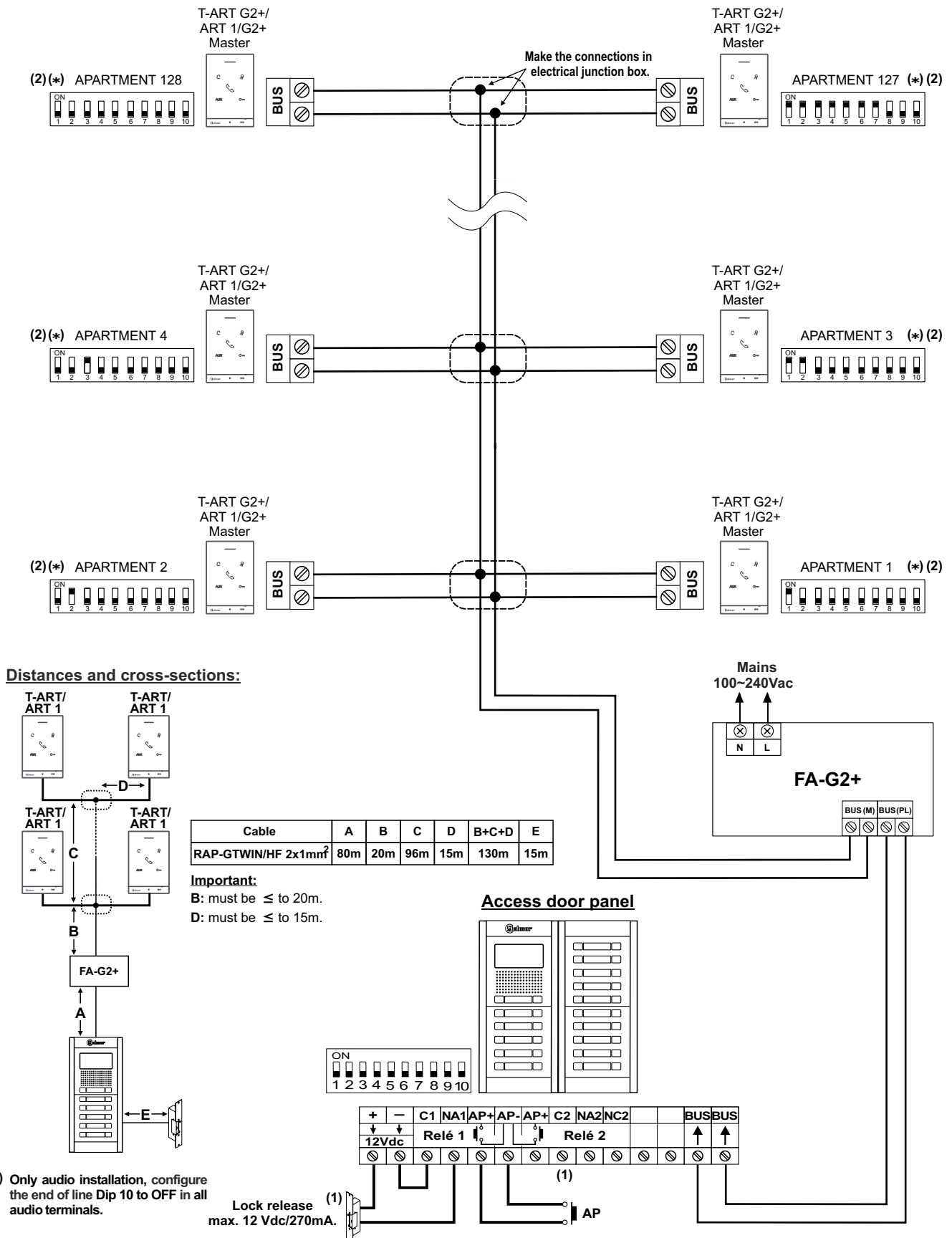
Connect the wires to the installation terminals following the instructions in the diagrams.



NEXA MODULAR G2+ AUDIO AND VIDEO DOOR ENTRY SYSTEM - BUILDING 34

WIRING DIAGRAMS

Audio door entry system with 128 apartments / ART 1/G2+ or T-ART/G2+ terminals and Golmar d.c lock release.



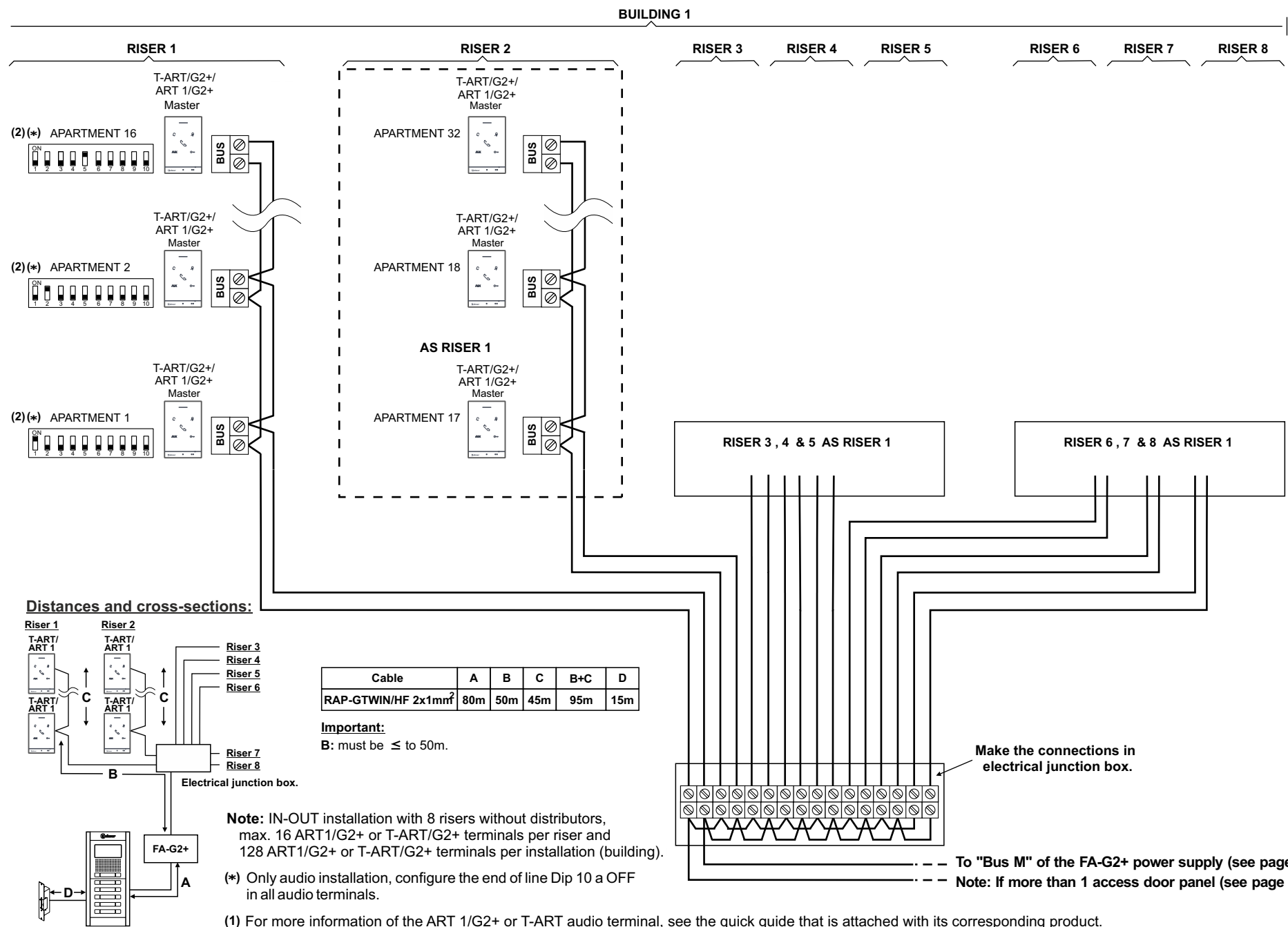
(*) Only audio installation, configure the end of line Dip 10 to OFF in all audio terminals.

Important:

(1) For a.c. lock release or a second lock release, (see page 52).

(2) For more information of the ART 1/G2+ or T-ART/G2+ terminal, see the quick guide that is attached with its corresponding product.

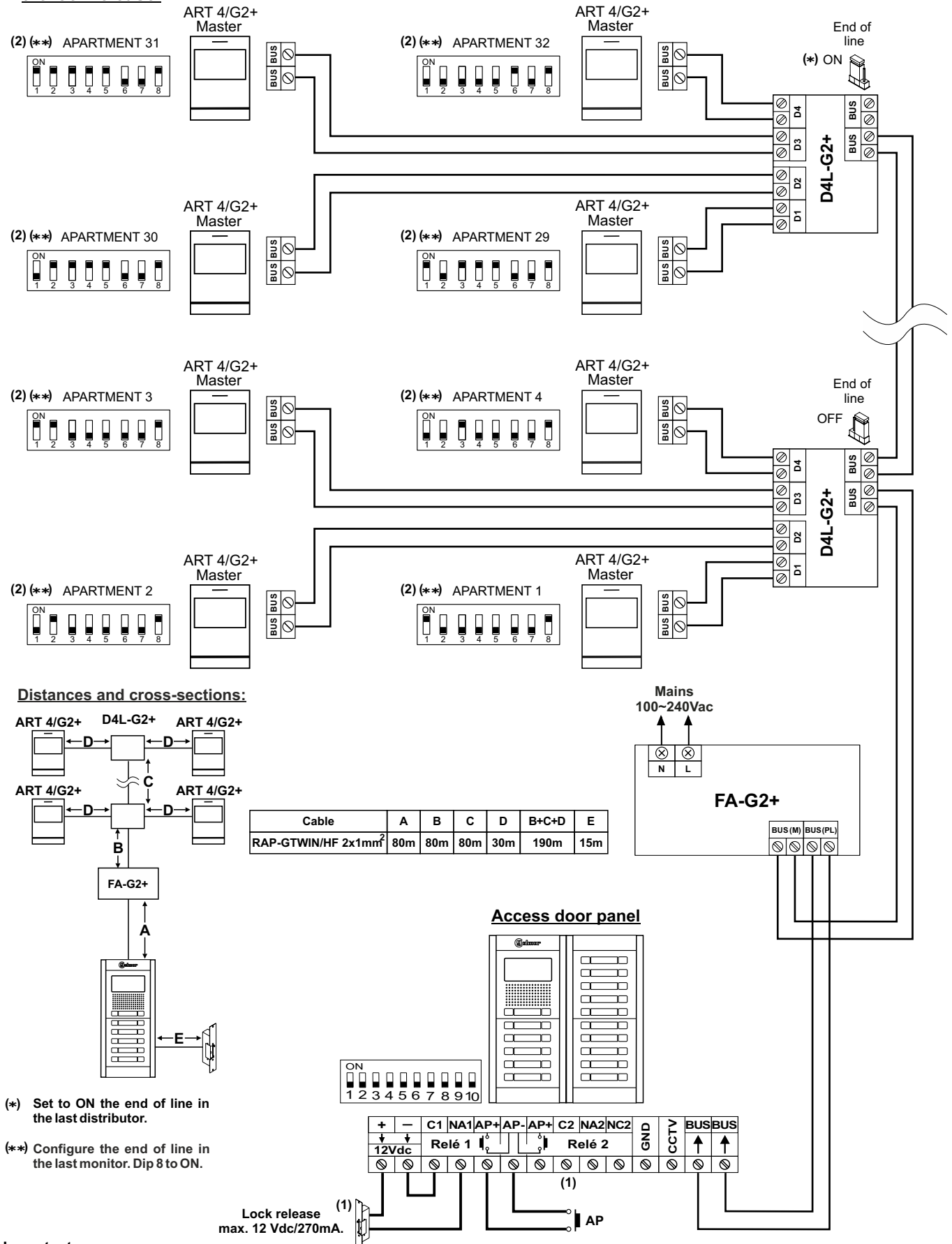
Audio door entry system with 8 risers of 16 apartments/ ART 1/G2+ or T-ART/G2+ terminals in "IN-OUT" without distributors and Golmar d.c lock release.



NEXA MODULAR G2+ AUDIO AND VIDEO DOOR ENTRY SYSTEM - BUILDING 36

WIRING DIAGRAMS

Video door entry system with 32 ART 4/G2+ or ART 4 LITE/G2+ monitors, 8 D4L-G2+ distributors and Golmar d.c lock release.



(*) Set to ON the end of line in the last distributor.

(**) Configure the end of line in the last monitor. Dip 8 to ON.

Important:

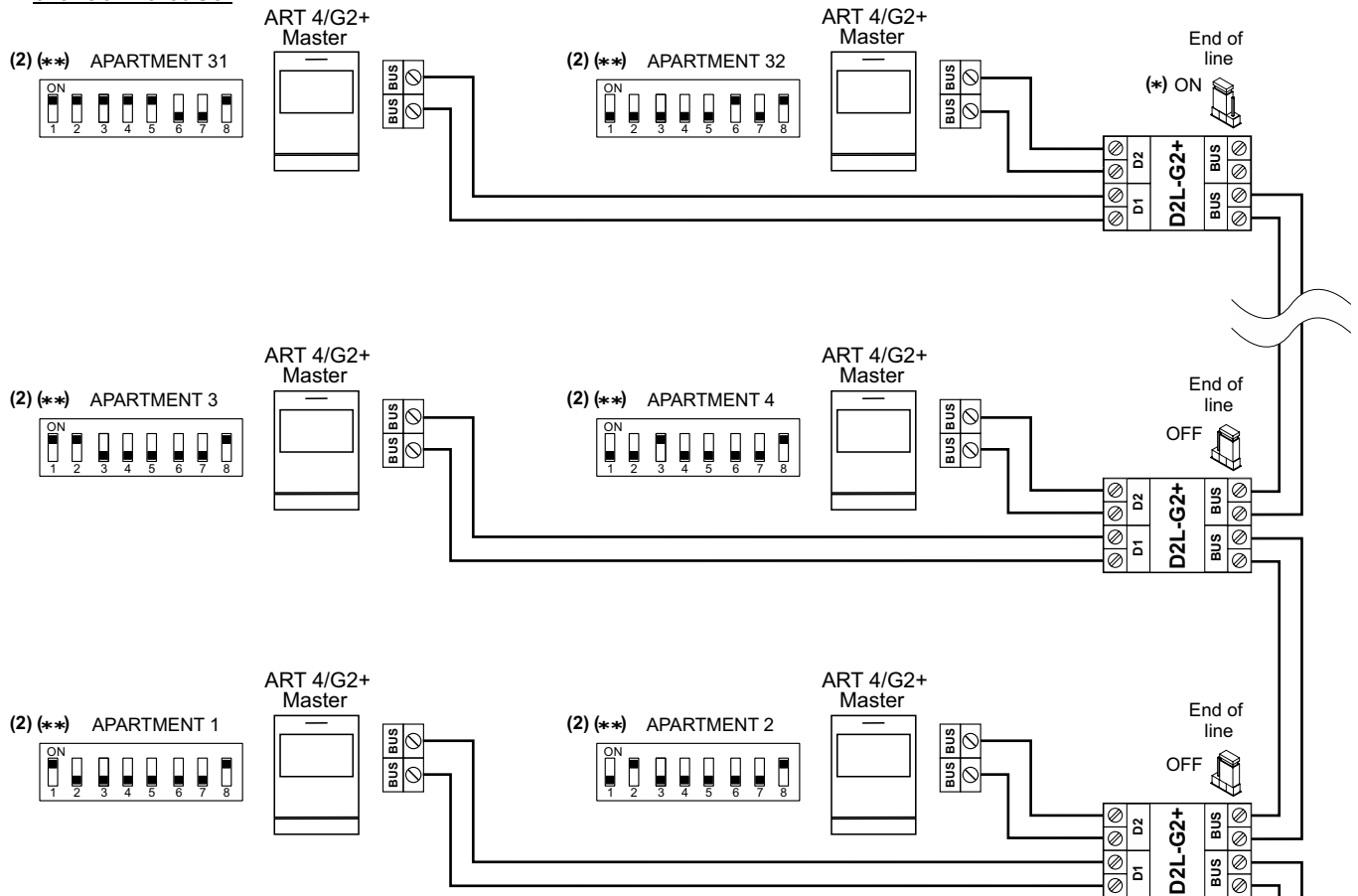
(1) For a.c. lock release or a second lock release, (see page 52).

(2) For more information of the ART 4 G2+ or ART 4 LITE/G2+ monitor, see the quick guide that is attached with its corresponding product.

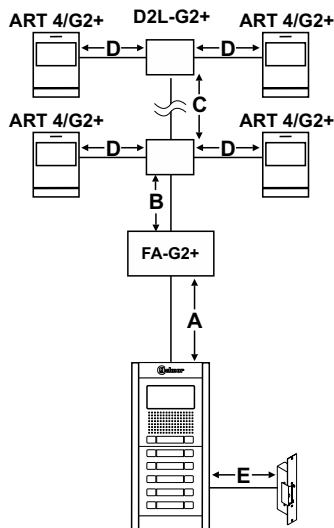
NEXA MODULAR G2+ AUDIO AND VIDEO DOOR ENTRY SYSTEM - BUILDING 37

WIRING DIAGRAMS

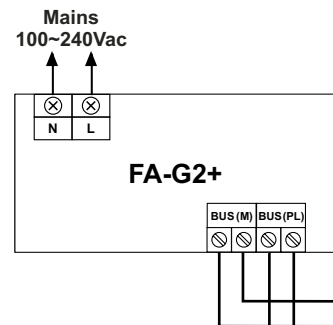
Video door entry system with 32 ART 4/G2+ or ART 4 LITE/G2+ monitors, 16 D2L-G2+ distributors and Golmar d.c lock release.



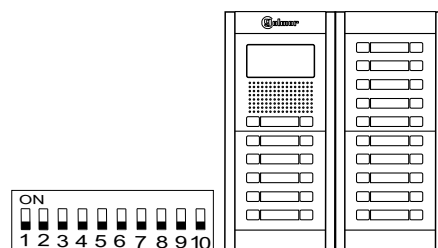
Distances and cross-sections:



| Cable | A | B | C | D | B+C+D | E |
|---------------------------------|-----|-----|-----|-----|-------|-----|
| RAP-GTWIN/HF 2x1mm ² | 80m | 80m | 80m | 30m | 190m | 15m |



Access door panel



(*) Set to ON the end of line in the last distributor.

(**) Configure the end of line in the last monitor. Dip 8 to ON.

Lock release max. 12 Vdc/270mA.

Important:

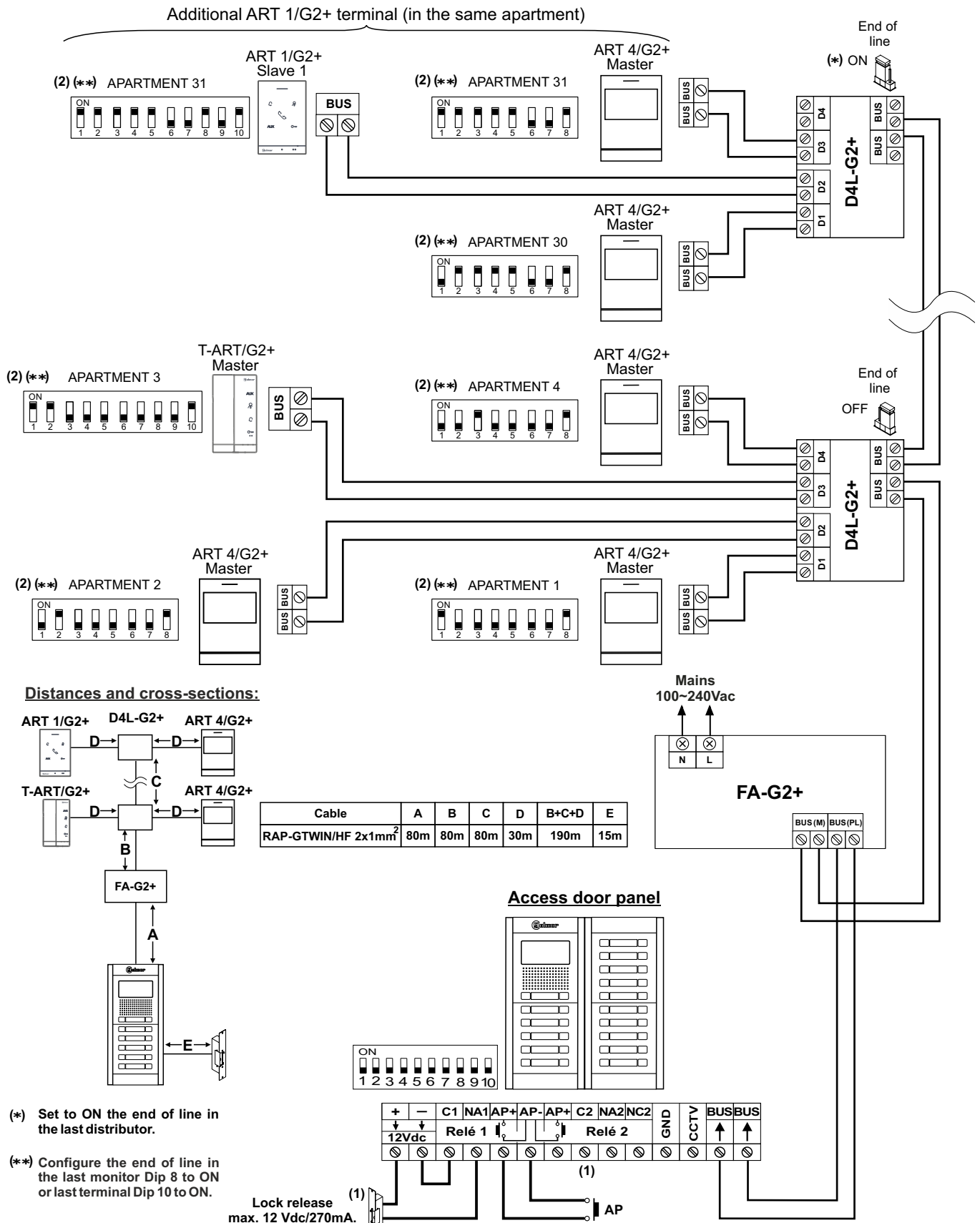
(1) For a.c. lock release or a second lock release, (see page 52).

(2) For more information of the ART 4 G2+ or ART 4 LITE/G2+ monitor, see the quick guide that is attached with its corresponding product.

NEXA MODULAR G2+ AUDIO AND VIDEO DOOR ENTRY SYSTEM - BUILDING 38

WIRING DIAGRAMS

Mixed installation: Up to 32 elements (ART 4/G2+ or ART 4 LITE/G2+ monitors / ART 1/G2+ or T-ART/G2+ audio terminals), 8 D4L-G2+ distributors and Golmar d.c lock release.



Important:

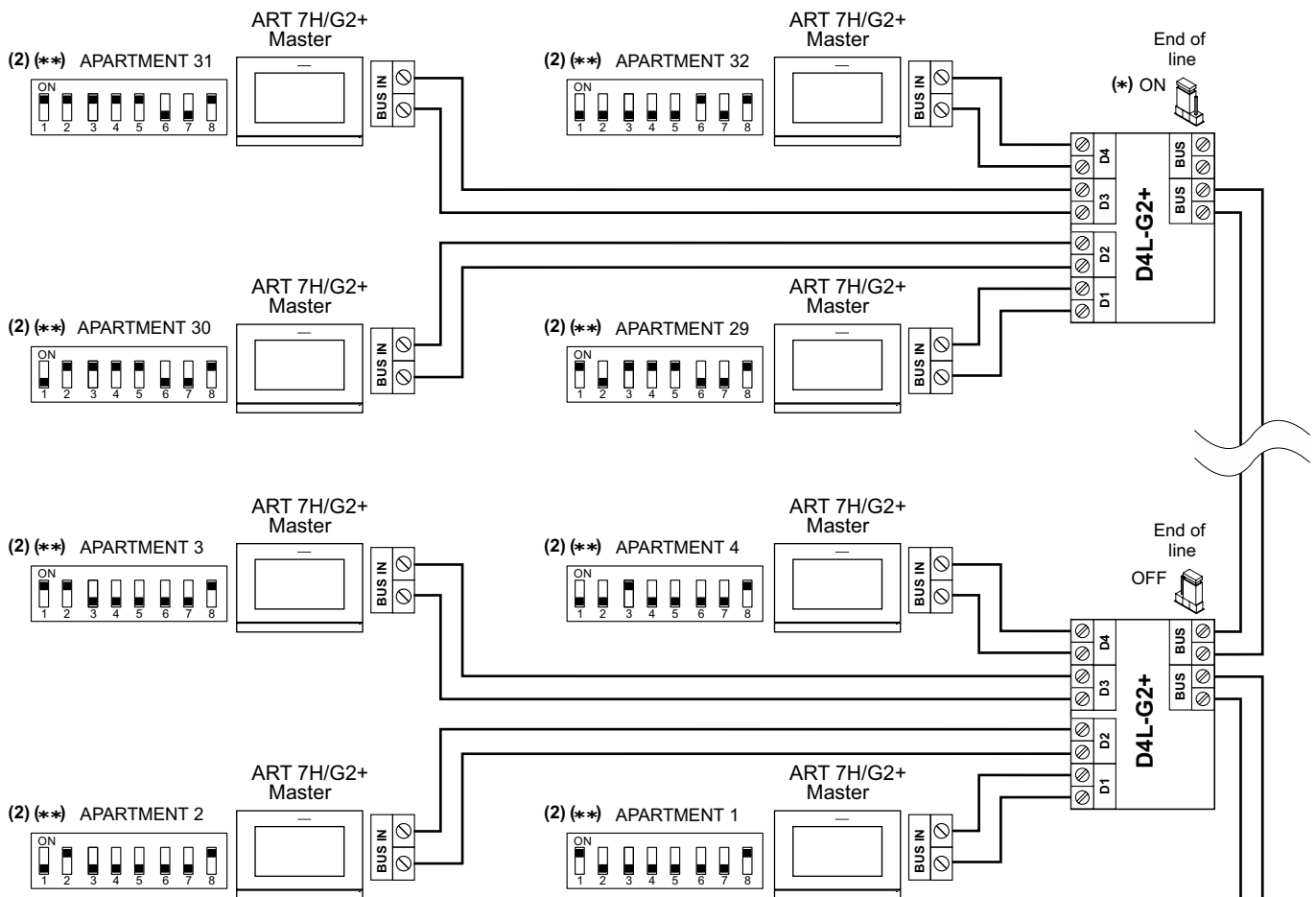
(1) For a.c. lock release or a second lock release, (see page 52).

(2) For more information of the ART 4 G2+, ART 4 LITE/G2+ monitor & ART1/G2+ or T-ART/G2+ terminal, see the quick guide that is attached with its corresponding product.

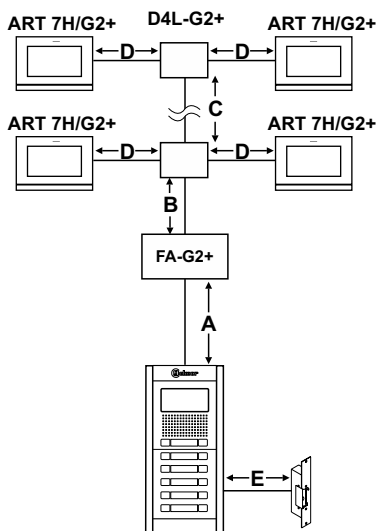
NEXA MODULAR G2+ AUDIO AND VIDEO DOOR ENTRY SYSTEM - BUILDING 39

WIRING DIAGRAMS

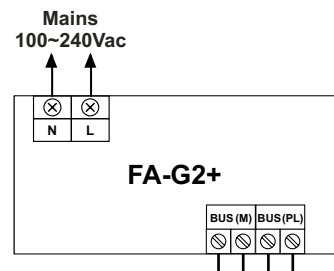
Video door entry system with 32 ART 7H/G2+ or ART 7LITE/G2+ monitors, 8 D4L-G2+ distributors and Golmar d.c lock release.



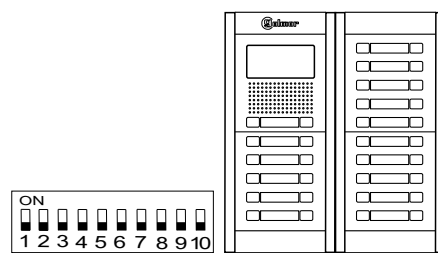
Distances and cross-sections:



| Cable | A | B | C | D | B+C+D | E |
|---------------------------------|-----|-----|-----|-----|-------|-----|
| RAP-GTWIN/HF 2x1mm ² | 80m | 80m | 80m | 30m | 190m | 15m |

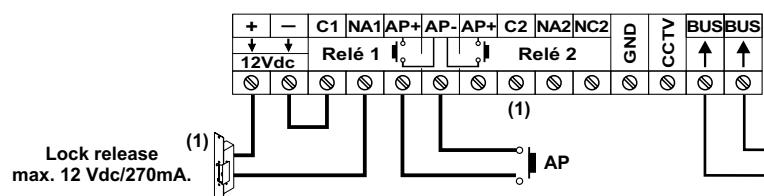


Access door panel



(*) Set to ON the end of line in the last distributor.

(**) Configure the end of line in the last monitor. Dip 8 to ON.



Important:

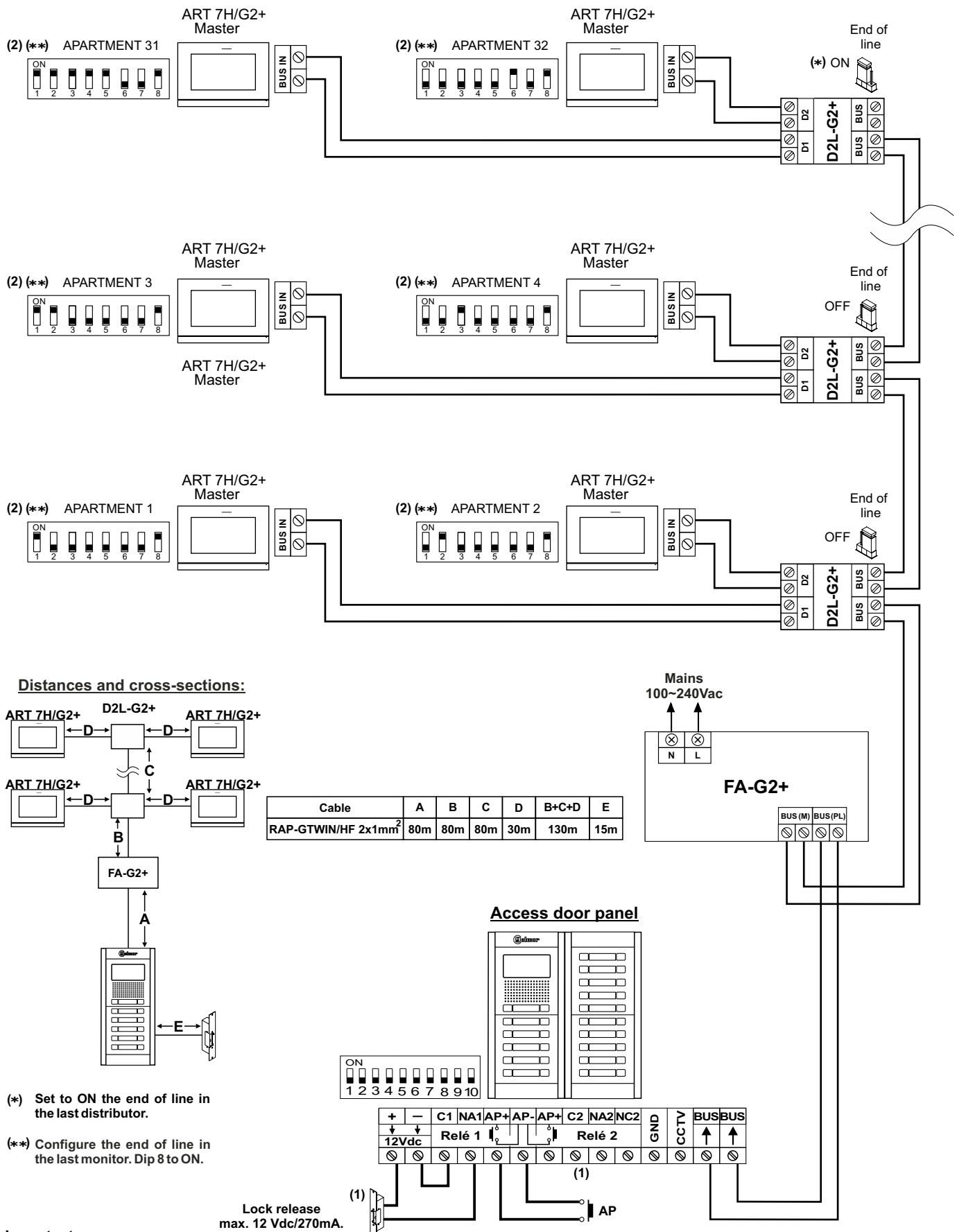
(1) For a.c. lock release or a second lock release, (see page 52).

(2) For more information of the ART 7H G2+ or ART 7 LITE/G2+ monitor, see the quick guide that is attached with its corresponding product.

NEXA MODULAR G2+ AUDIO AND VIDEO DOOR ENTRY SYSTEM - BUILDING 40

WIRING DIAGRAMS

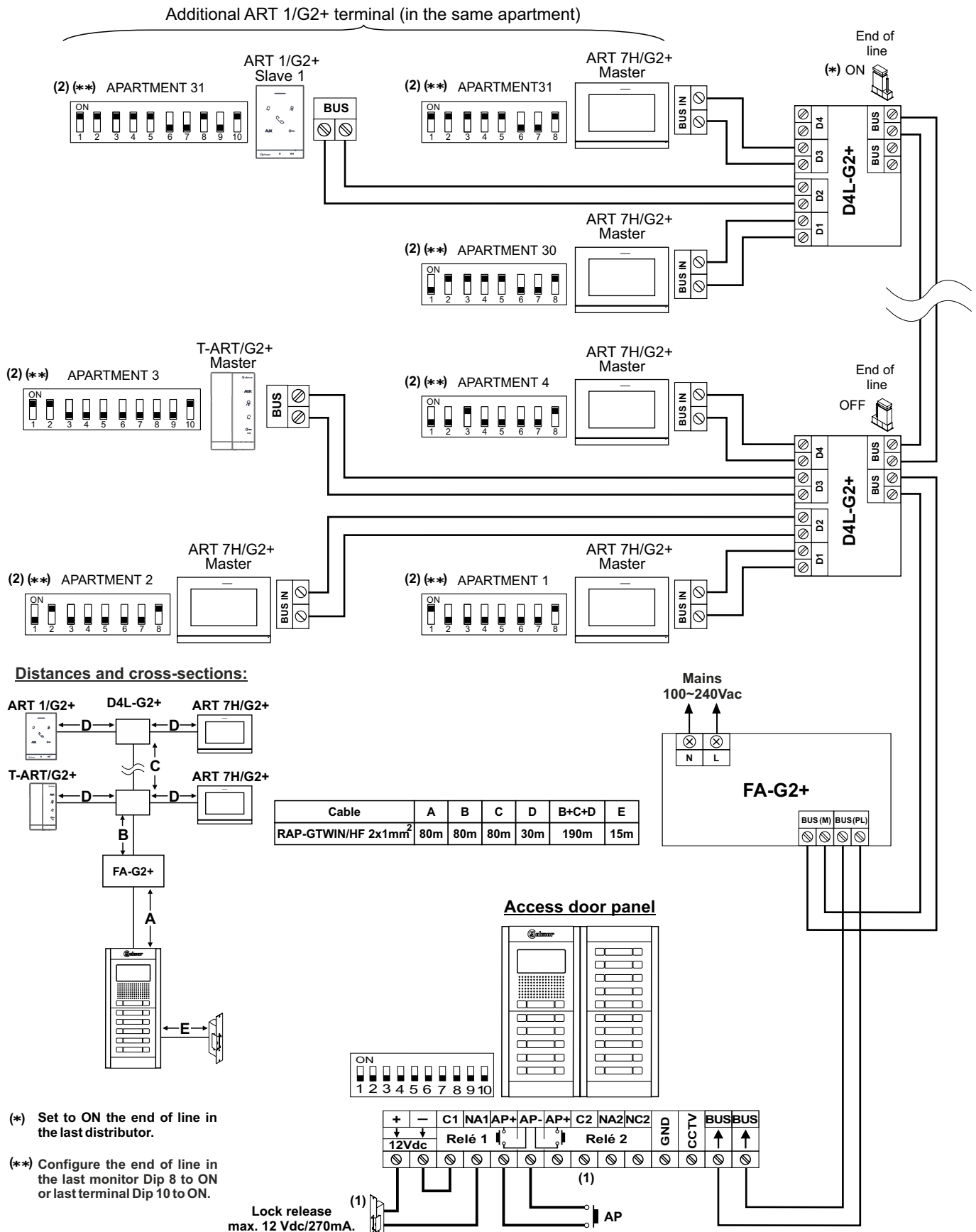
Video door entry system with 32 ART 7H/G2+ or ART 7 LITE/G2+ monitors, 16 D2L-G2+ distributors and Golmar d.c lock release.



NEXA MODULAR G2+ AUDIO AND VIDEO DOOR ENTRY SYSTEM - BUILDING 41

WIRING DIAGRAMS

Mixed installation: Up to 32 elements (ART 7H/G2+ or ART 7 LITE/G2+ monitors / ART 1/G2+ or T-ART/G2+ audio terminals), 8 D4L-G2+ distributors and Golmar d.c lock release.



(*) Set to ON the end of line in the last distributor.

(**) Configure the end of line in the last monitor Dip 8 to ON or last terminal Dip 10 to ON.

Important:

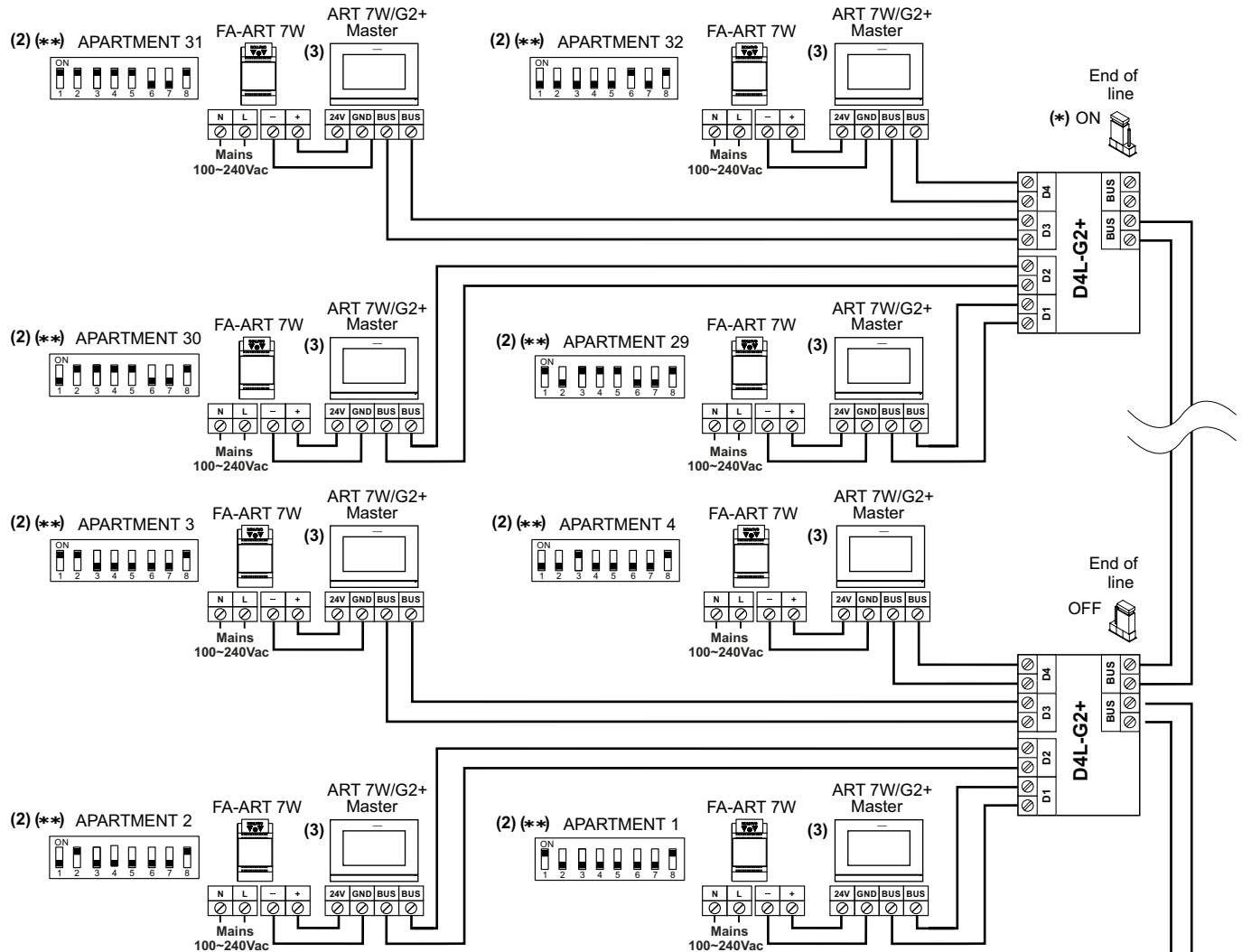
(1) For a.c. lock release or a second lock release, (see page 52).

(2) For more information of the ART 7H G2+, ART 7 LITE/G2+ monitor & ART1/G2+ or T-ART/G2+ terminal, see the quick guide that is attached with its corresponding product.

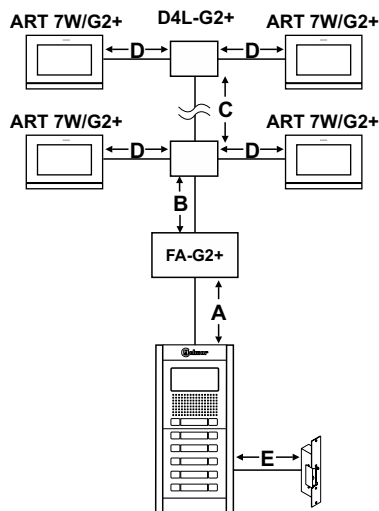
NEXA MODULAR G2+ AUDIO AND VIDEO DOOR ENTRY SYSTEM - BUILDING 42

WIRING DIAGRAMS

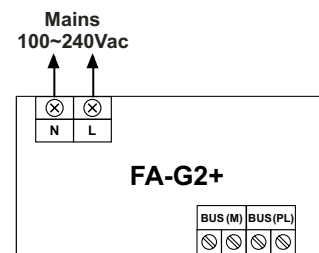
Video door entry system with 32 ART 7W/G2+ monitors, 8 D4L-G2+ distributors and Golmar d.c lock release.



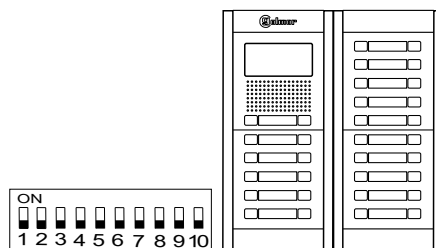
Distances and cross-sections:



| Cable | A | B | C | D | B+C+D | E |
|---------------------------------|-----|-----|-----|-----|-------|-----|
| RAP-GTWIN/HF 2x1mm ² | 80m | 80m | 80m | 30m | 190m | 15m |



Access door panel



(*) Set to ON the end of line in the last distributor.

(**) Configure the end of line in the last monitor. Dip 8 to ON.

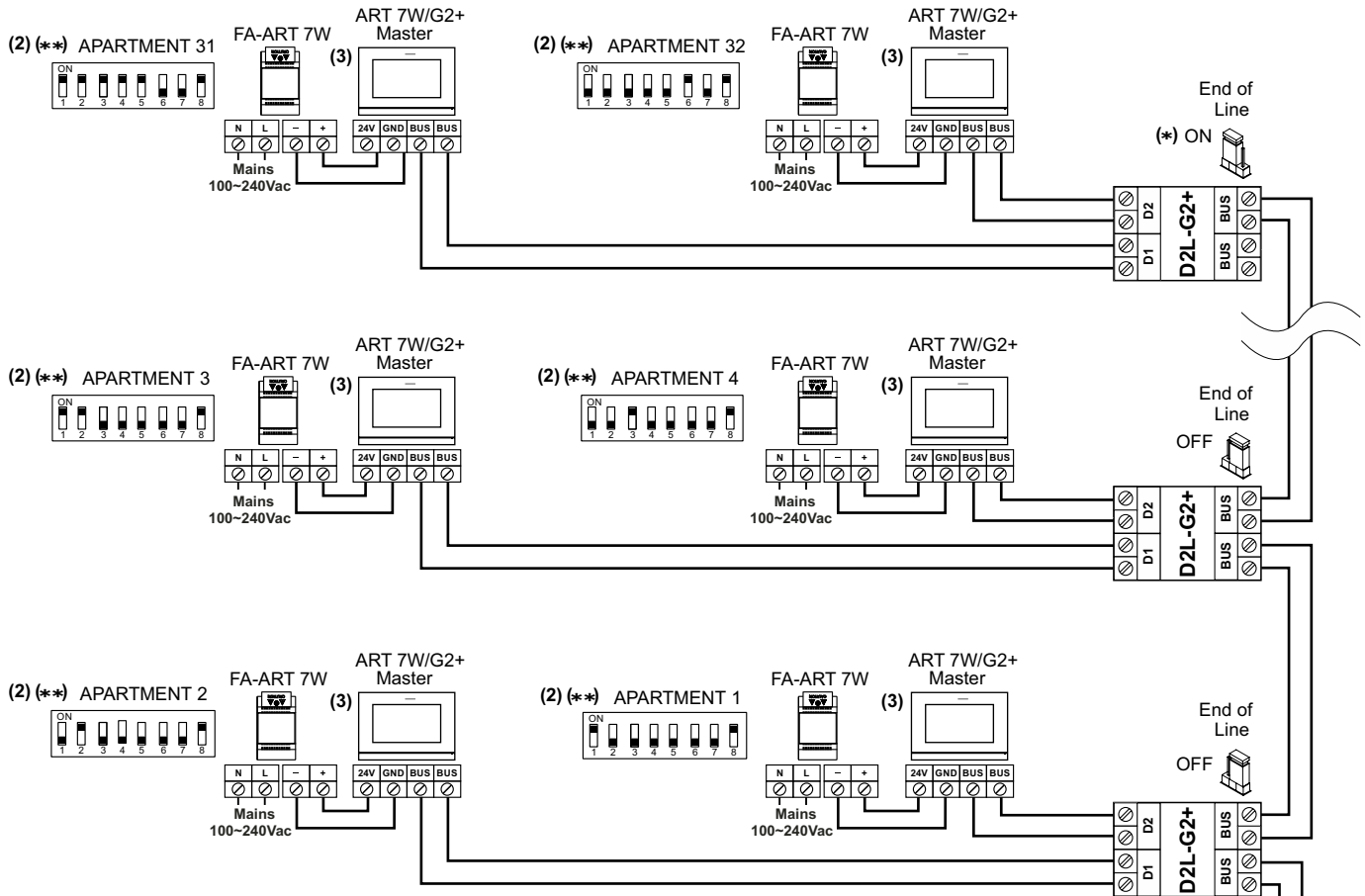
Important:

- (1) For a.c. lock release or a second lock release, (see page 52).
- (2) For more information of the ART 7W G2+ monitor, see the quick guide that is attached with its corresponding product.
- (3) ART 7W/G2+ monitor with WiFi activated (only the master monitor of each apartment) FA-ART 7W power supply unit required.

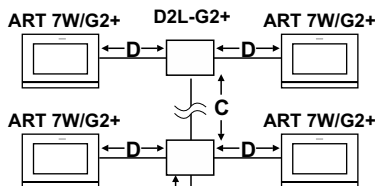
NEXA MODULAR G2+ AUDIO AND VIDEO DOOR ENTRY SYSTEM - BUILDING 43

WIRING DIAGRAMS

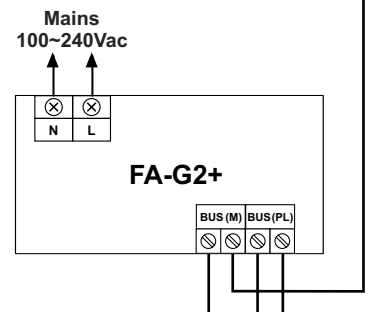
Video door entry system with 32 ART 7W/G2+ monitors, 16 D2L-G2+ distributors and Golmar d.c lock release.



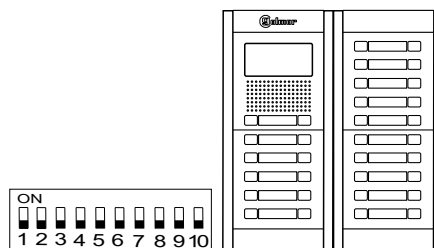
Distances and cross-sections:



| Cable | A | B | C | D | B+C+D | E |
|---------------------------------|-----|-----|-----|-----|-------|-----|
| RAP-GTWIN/HF 2x1mm ² | 80m | 80m | 80m | 30m | 190m | 15m |



Access door panel



(*) Set to ON the end of line in the last distributor.

(**) Configure the end of line in the last monitor. Dip 8 to ON.

Important:

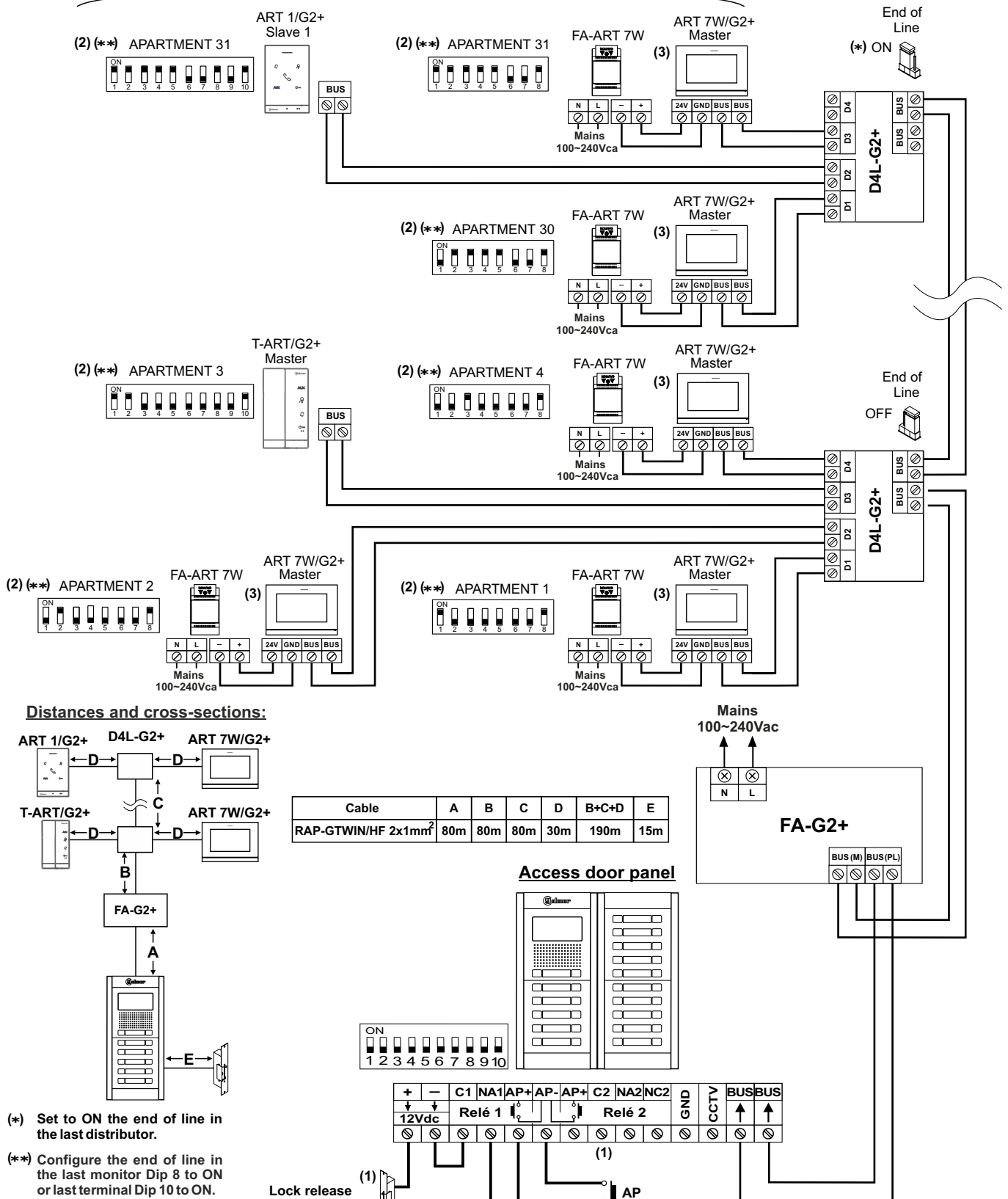
- (1) For a.c. lock release or a second lock release, (see page 52).
- (2) For more information of the ART 7W G2+ monitor, see the quick guide that is attached with its corresponding product.
- (3) ART 7W/G2+ monitor with WiFi activated (only the master monitor of each apartment) FA-ART 7W power supply unit required.

NEXA MODULAR G2+ AUDIO AND VIDEO DOOR ENTRY SYSTEM - BUILDING 44

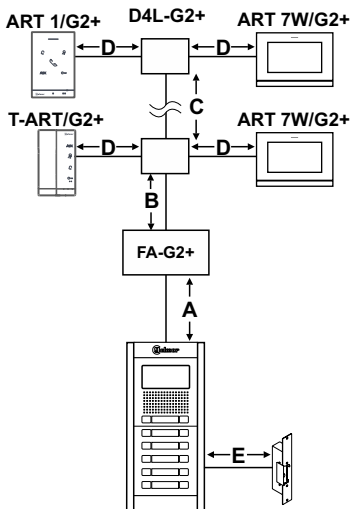
WIRING DIAGRAMS

Mixed installation: Up to 32 elements (ART 7 W/G2+ monitors / ART 1/G2+ or T-ART/G2+ audio terminals), 8 D4L-G2+ distributors and Golmar d.c lock release.

Additional ART 1/G2+ terminal (in the same apartment)

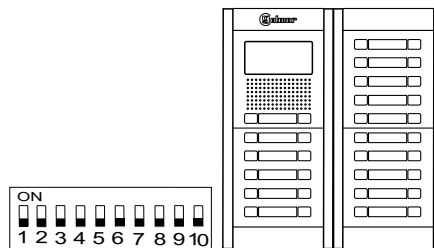


Distances and cross-sections:



| Cable | A | B | C | D | B+C+D | E |
|---------------------------------|-----|-----|-----|-----|-------|-----|
| RAP-GTWIN/HF 2x1mm ² | 80m | 80m | 80m | 30m | 190m | 15m |

Access door panel



(*) Set to ON the end of line in the last distributor.

(**) Configure the end of line in the last monitor Dip 8 to ON or last terminal Dip 10 to ON.

Important:

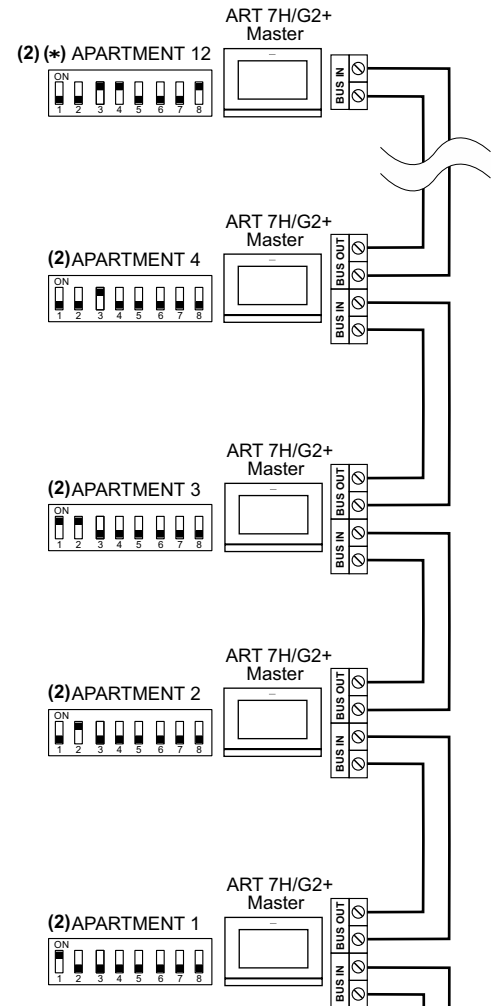
- (1) For a.c. lock release or a second lock release, (see page 52).
- (2) For more information of the ART 7W G2+ monitor & ART 1/G2+ or T-ART/G2+ terminal, see the quick guide that is attached with its corresponding product.
- (3) ART 7W/G2+ monitor with WiFi activated (only the master monitor of each apartment) FA-ART 7W power supply unit required.

NEXA MODULAR G2+ AUDIO AND VIDEO DOOR ENTRY SYSTEM - BUILDING 45

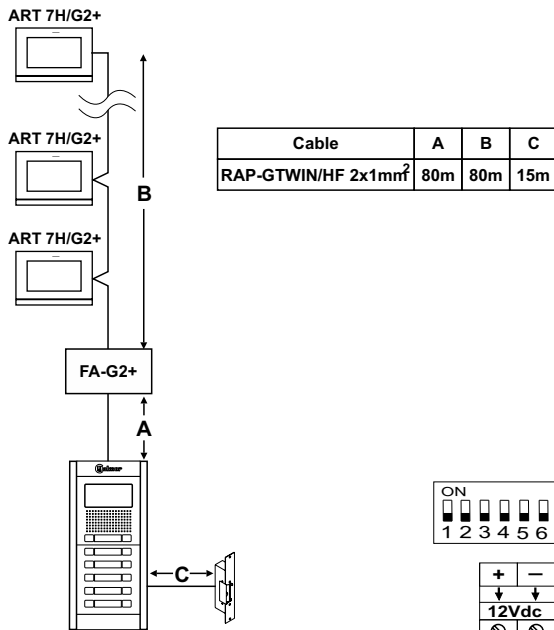
WIRING DIAGRAMS

Video door entry system with 12 monitors ART 7H/G2+ or ART 7 LITE/G2+ monitors IN-OUT without distributors & Golmar d.c lock release.

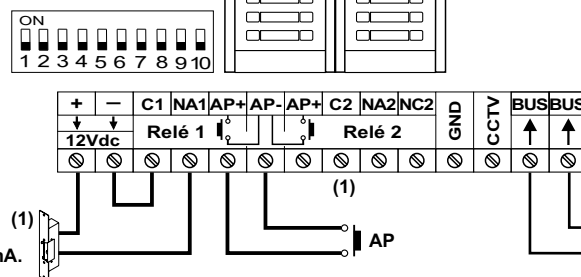
IMPORTANT: Up to 12 monitors in IN-OUT without distributors, per installation (building).



Distances and cross-sections:



Access door panels



(*) Configure the end of line in the last monitor. Dip 8 to ON.

Lock release
max. 12 Vdc/270mA.

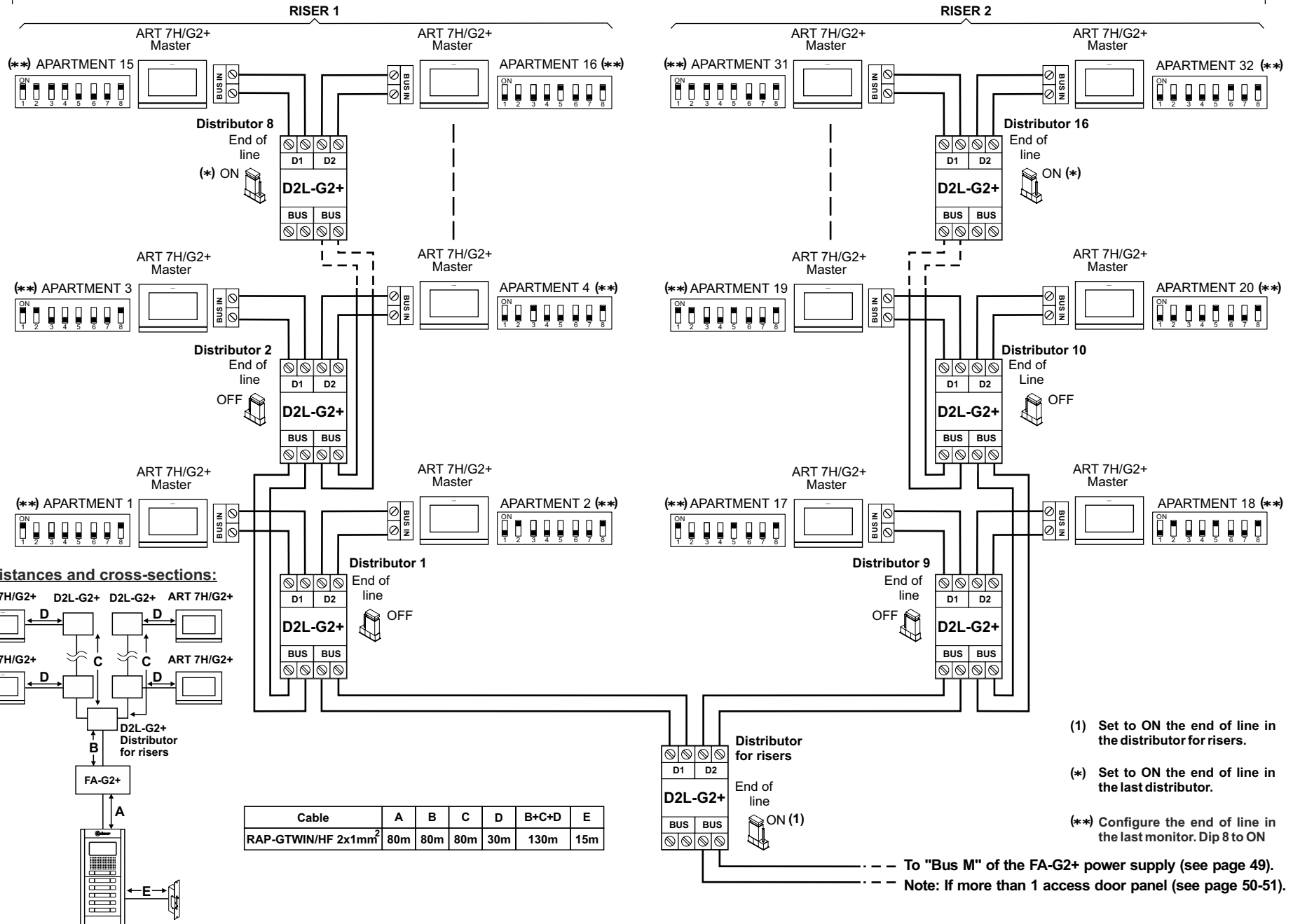
Important:

(1) For a.c. lock release or a second lock release, (see page 52).

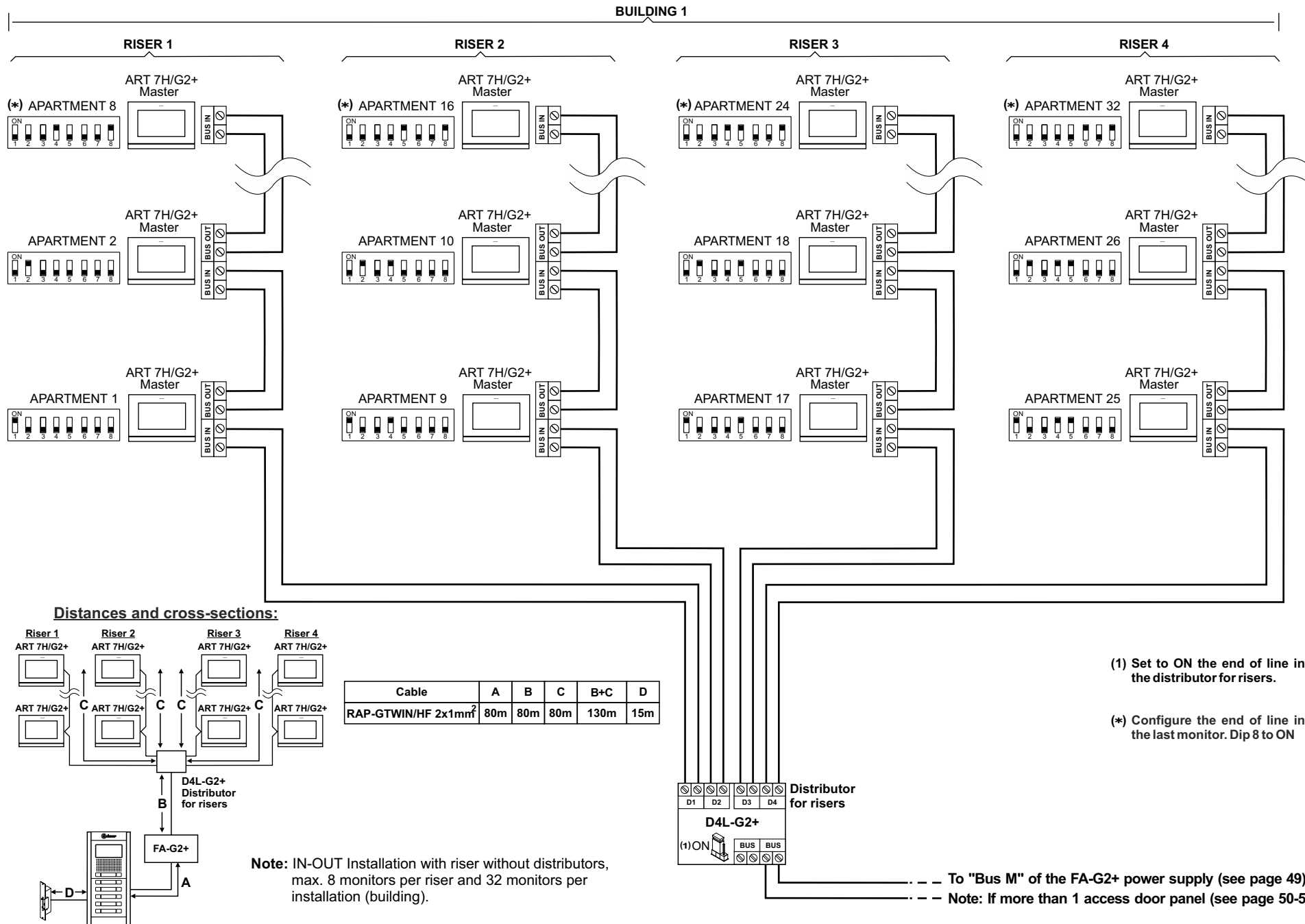
(2) For more information of the ART 7H/G2+ or ART 7 LITE/G2+ monitor, see the quick guide that is attached with its corresponding product.

Video door entry system with 32 ART 7H/G2+ or ART 7 LITE/G2+ monitors, 2 risers with D2L-G2+ distributors and Golmar d.c lock release.

BUILDING 1



Video door entry system with 32 ART 7H/G2+ or ART 7 LITE/G2+ monitors in IN-OUT, 4 risers without distributors and Golmar d.c lock release.



NEXA MODULAR G2+ AUDIO AND VIDEO DOOR ENTRY SYSTEM - BUILDING 49

WIRING DIAGRAMS

1 Building of video door entry system with risers (from 2 to 4) and 1 door panel with Golmar d.c lock release.

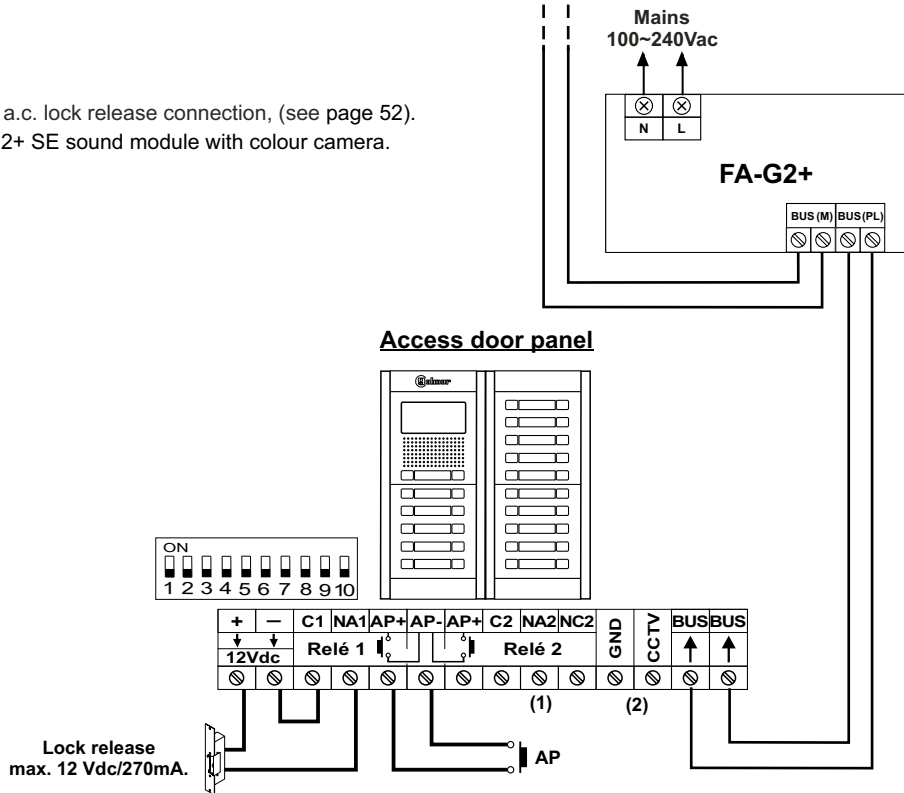
1 Building of audio door entry system with risers (from 1 to 8) and 1 door panel with Golmar d.c lock release.

Video door entry system: To distributor for risers of the building (see pages 46 to 48)

Audio door entry system: To electrical junction box for risers of the building (see page 35)

Important:

- (1) For a second a.c. lock release connection, (see page 52).
- (2) Only EL632 G2+ SE sound module with colour camera.



1 Building of video door panel with risers (from 2 to 4) and 1 door panel with Golmar a.c lock release.

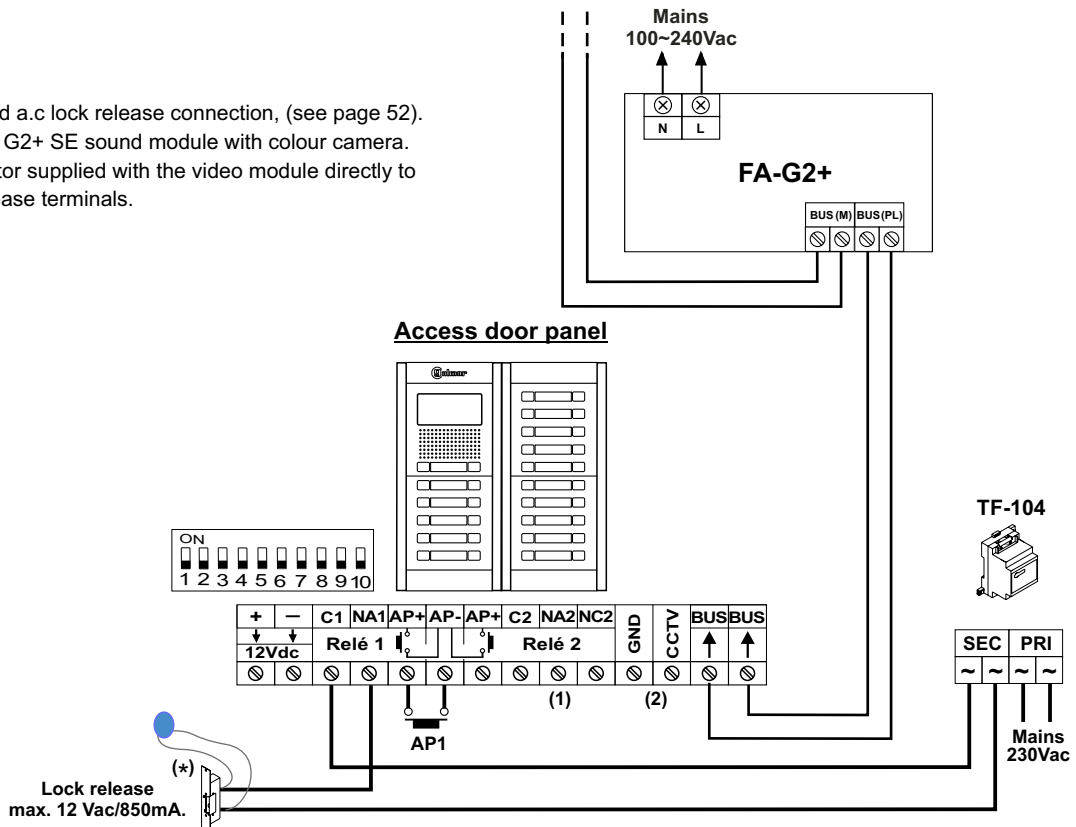
1 Building of audio door panel with risers (from 1 to 8) and 1 door panel with Golmar d.c lock release.

Video door panel: To distributor for risers of the building (see pages 46 to 48)

Audio door panel: To electrical junction box for risers of the building (see page 35)

Important:

- (1) For a second a.c. lock release connection, (see page 52).
- (2) Only EL632 G2+ SE sound module with colour camera.
- (*) Fit the varistor supplied with the video module directly to the lock release terminals.



NEXA MODULAR G2+ AUDIO AND VIDEO DOOR ENTRY SYSTEM - BUILDING 50

WIRING DIAGRAMS

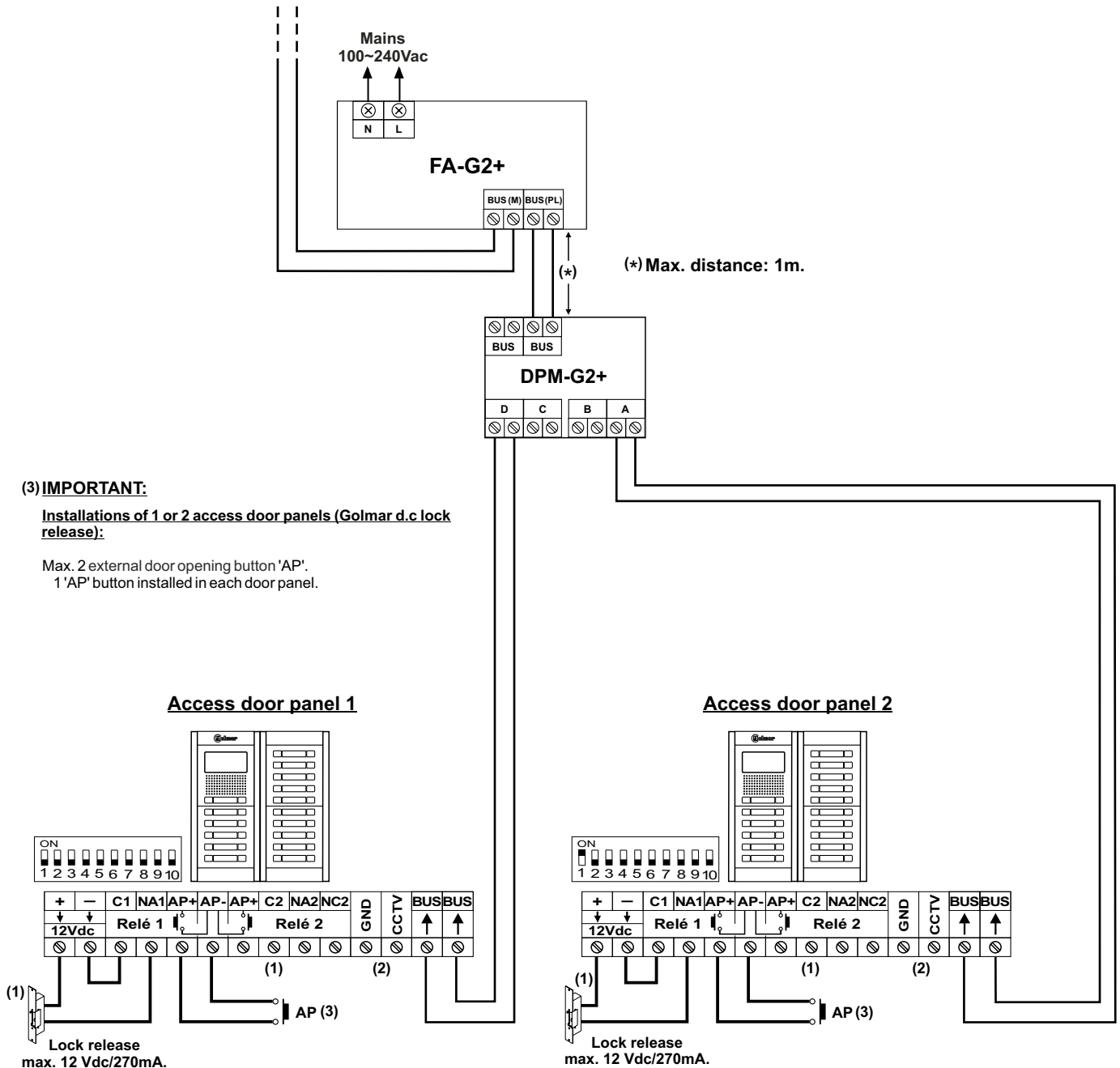
Audio and Video door entry system with 2 access door panels, DPM-G2+ door panels distributor & Golmar d.c lock release.

Video door entry system: To the distributors (building floors), see pages 36 to 45.

To the risers distributor of the building, see pages 46 to 48

Audio door entry system: To electrical junction box for Bus connections ART 1/G2+ terminals of the building (see page 34).

To electrical junction box for risers of the building (see page 35).



(1) Important: For a second a.c lock release connection, (see page 52).

(2) Important: Only EL632 G2+ SE sound module with colour camera.

NEXA MODULAR G2+ AUDIO AND VIDEO DOOR ENTRY SYSTEM - BUILDING 51

WIRING DIAGRAMS

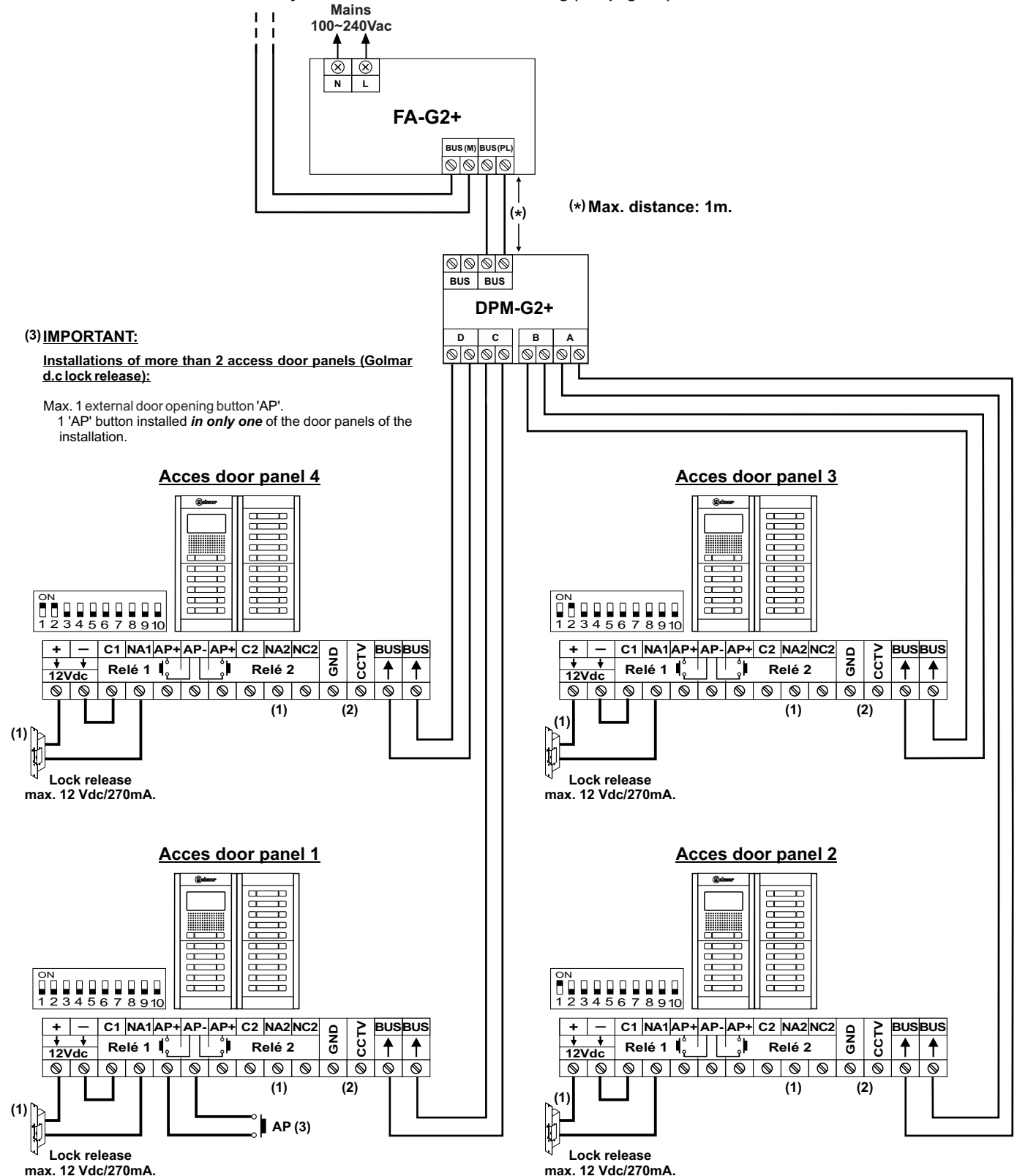
Audio and Video door entry system with 4 access door panels, DPM-G2+ door panels distributor & Golmar d.c lock release.

Video door entry system: To the distributors (building floors), see pages 36 to 45.

To the risers distributor of the building, see pages 46 to 48

Audio door entry system: To electrical junction box for Bus connections ART 1/G2+ terminals of the building (see page 34).

To electrical junction box for risers of the building (see page 35).



(1) Important: For a second a.c lock release connection, (see page 52).

(2) Important: Only EL632 G2+ SE sound module with colour camera.

NEXA MODULAR G2+ AUDIO AND VIDEO DOOR ENTRY SYSTEM - BUILDING 52

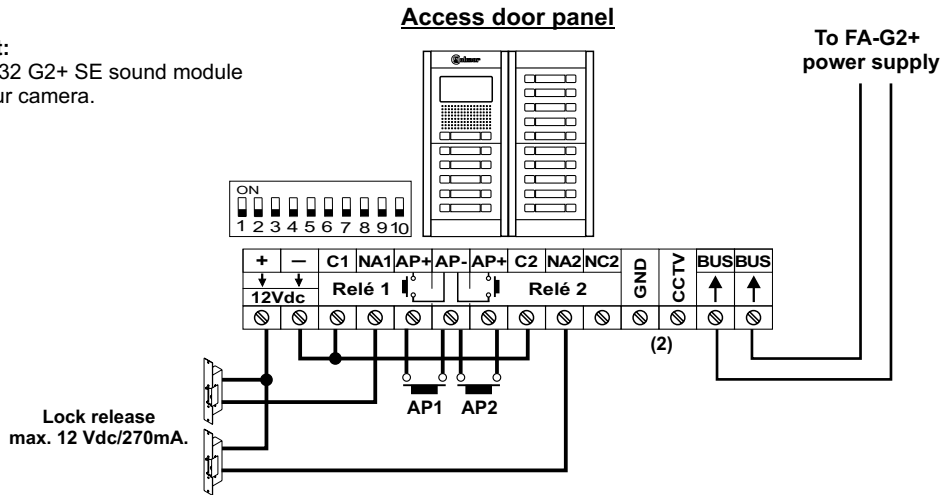
WIRING DIAGRAMS

Connection of Golmar d.c. and a.c. lock releases.

Connection of 2 d.c. lock releases with "AP":

(2) Important:

Only EL632 G2+ SE sound module with colour camera.

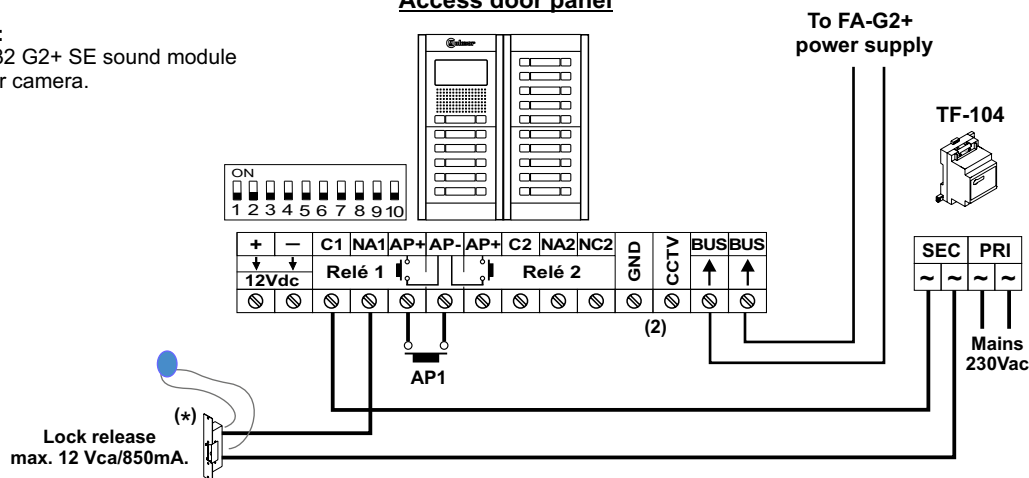


(1) Important: Installation with 1 access door panel and 2 Golmar d.c. lock release (see note "IMPORTANT" of maximum of AP's in page. 50).

Connection of 1 a.c. lock release with "AP":

(2) Important:

Only EL632 G2+ SE sound module with colour camera.

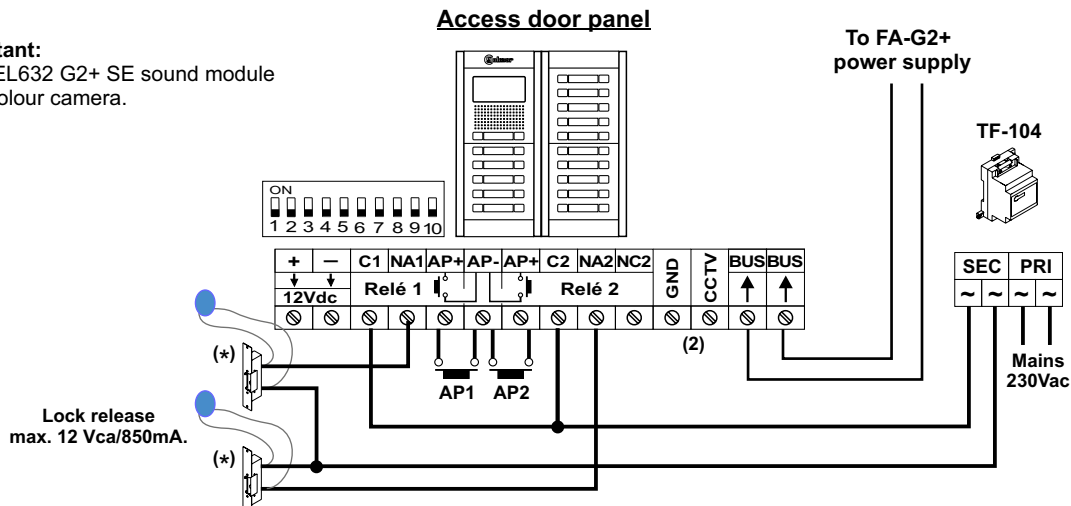


(*) Important: Fit the varistor supplied with the video module directly to the lock release terminals.

Connection of 2 a.c. lock release with "AP":

(2) Important:

Only EL632 G2+ SE sound module with colour camera.

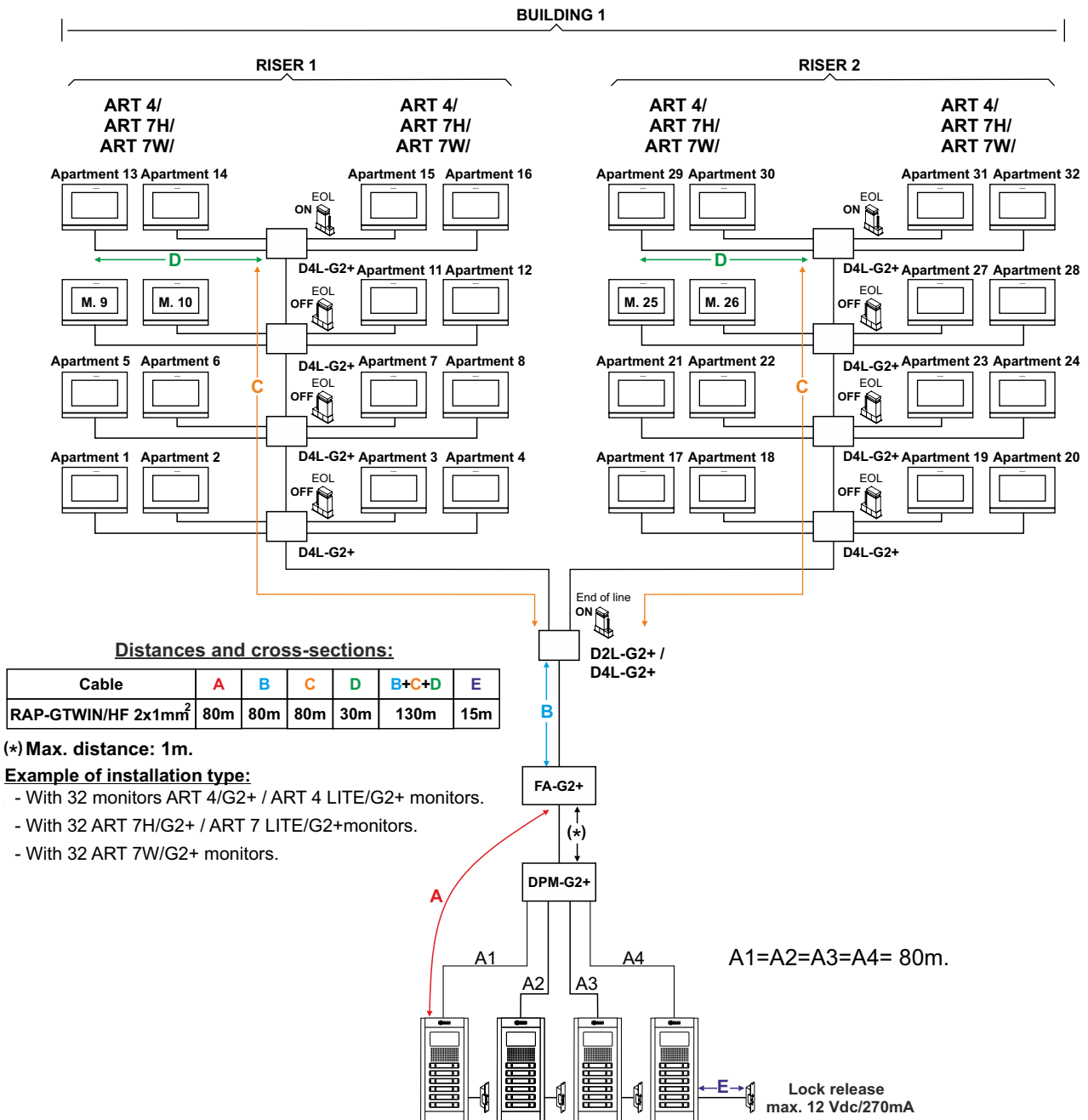


(*) Important: Fit the varistor supplied with the video module directly to the lock release terminals.

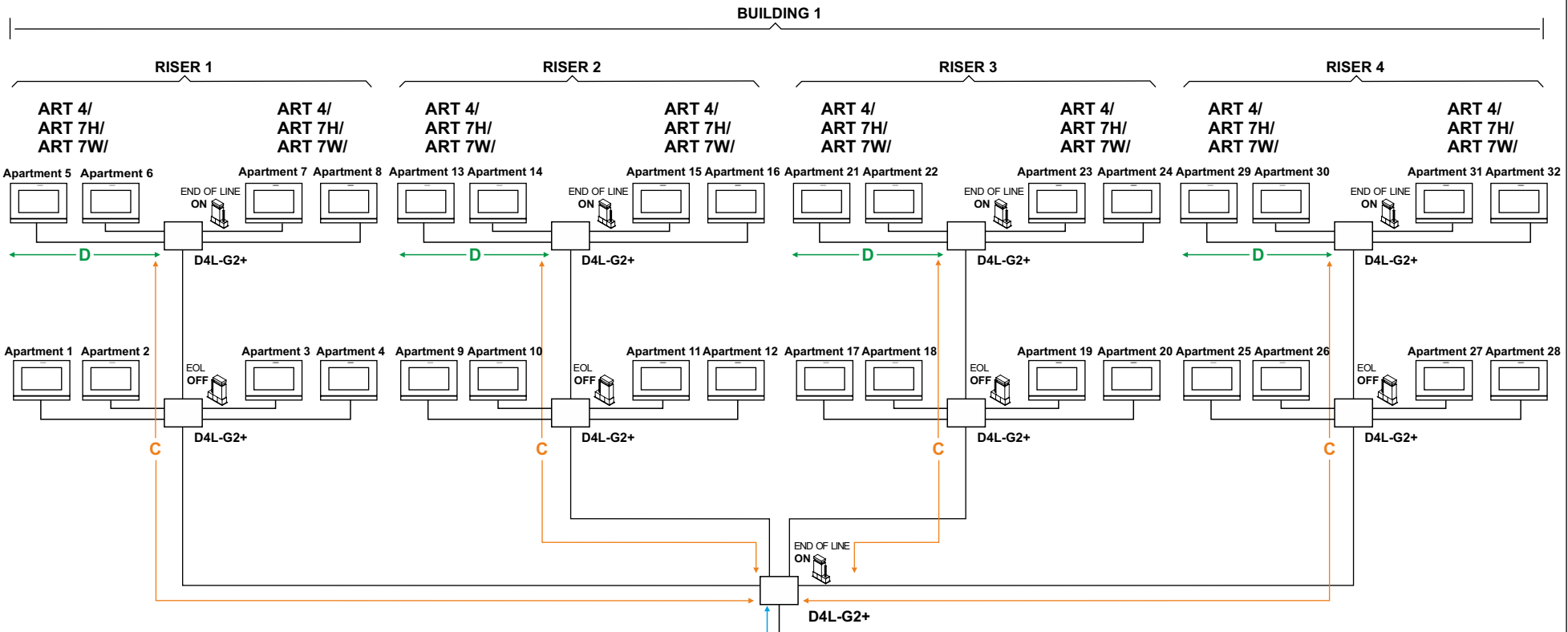
NEXA MODULAR G2+ AUDIO AND VIDEO DOOR ENTRY SYSTEM - BUILDING 53

TYPES OF RISER INSTALLATION

Installation with 1 building, 32 monitors, 2 risers and 1 access door panel.



Installation with 1 building, 32 monitors, 4 risers and 1 access door panel.



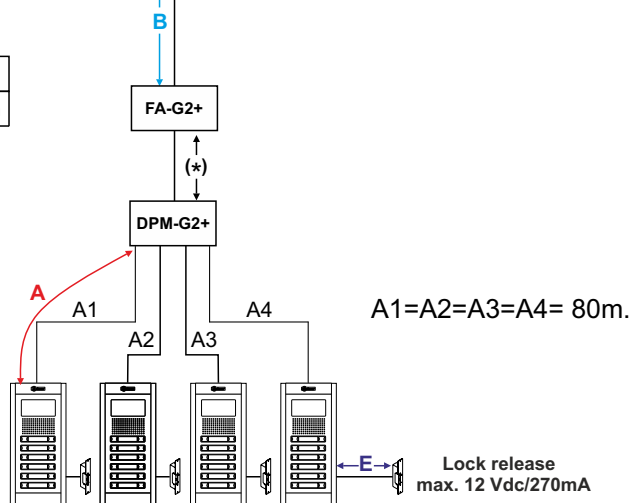
Distances and cross-sections:

| Cable | A | B | C | D | B+C+D | E |
|---------------------------------|-----|-----|-----|-----|-------|-----|
| RAP-GTWIN/HF 2x1mm ² | 80m | 80m | 80m | 30m | 130m | 15m |

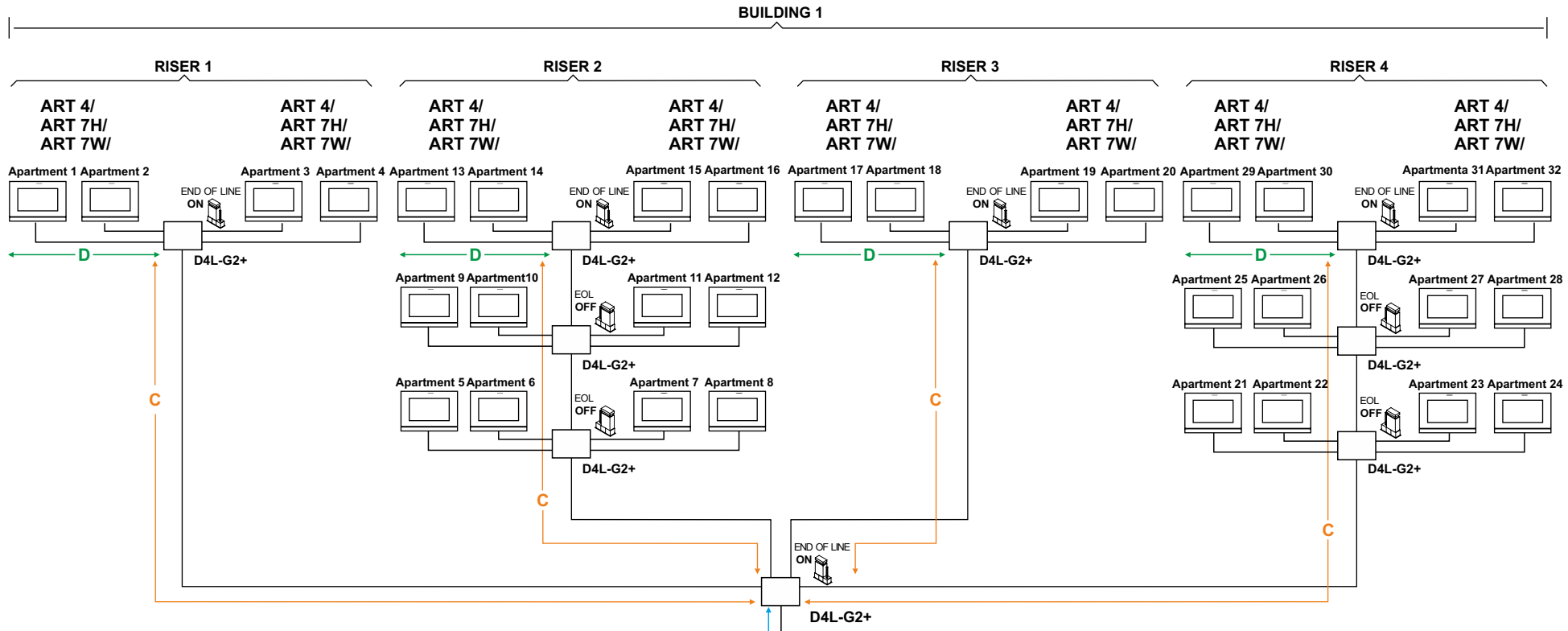
(*) Max. distance: 1m.

Example of installation type:

- With 32 monitors ART 4/G2+ / ART 4 LITE/G2+ monitors.
- With 32 ART 7H/G2+ / ART 7 LITE/G2+ monitors.
- With 32 ART 7W/G2+ monitors.



Installation with 1 building, 32 monitors, 4 asymmetric risers and 1 access door panel.



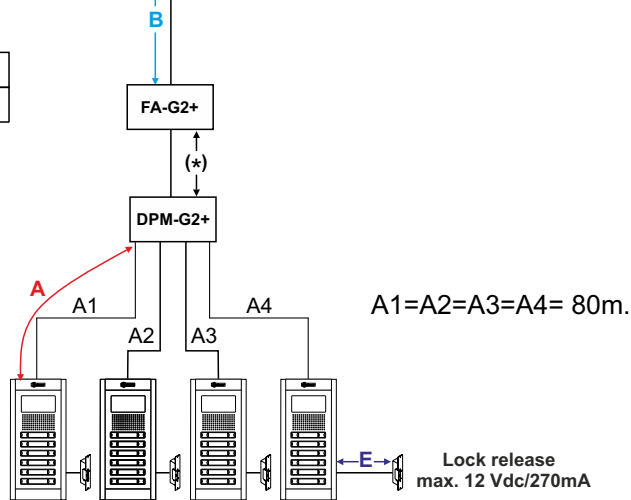
Distances and cross-sections:

| Cable | A | B | C | D | B+C+D | E |
|---------------------------------|-----|-----|-----|-----|-------|-----|
| RAP-GTWIN/HF 2x1mm ² | 80m | 80m | 80m | 30m | 130m | 15m |

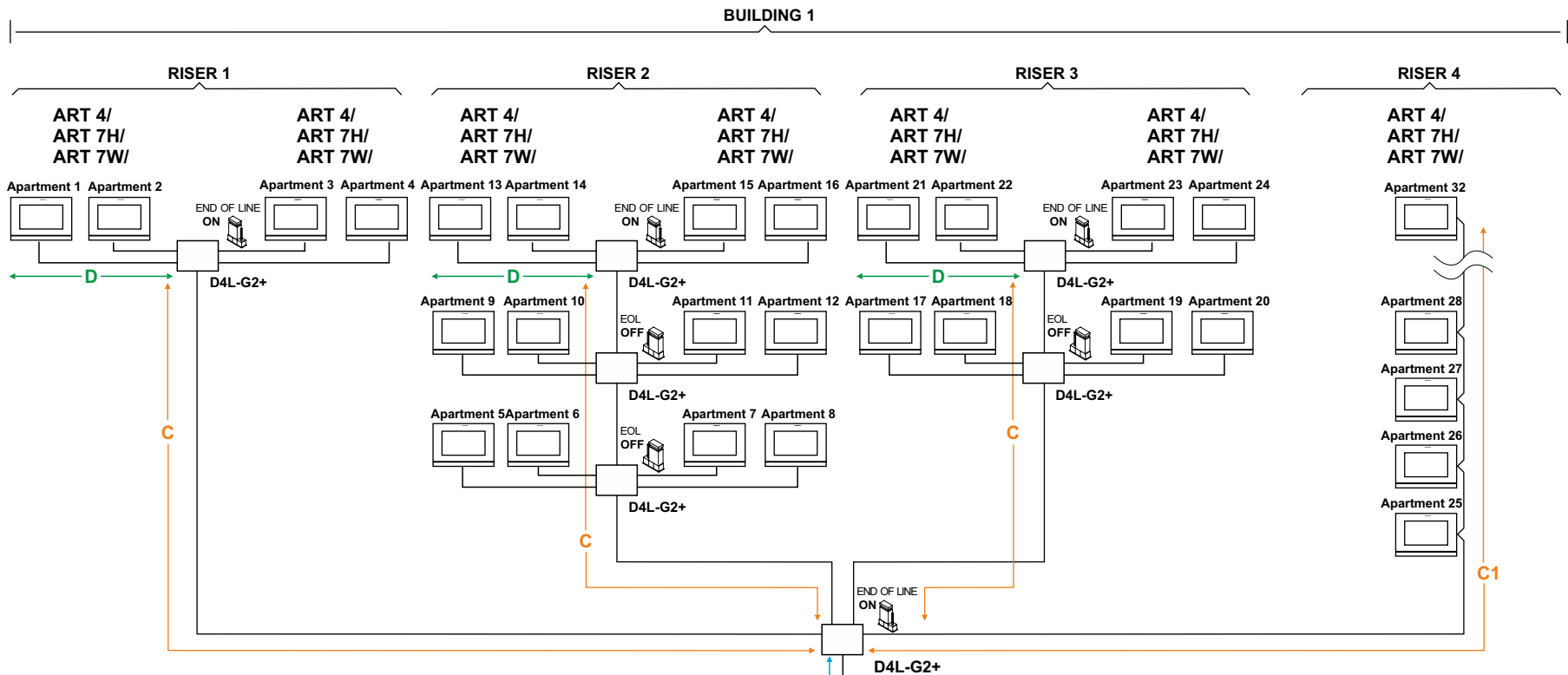
(*) Max. distance: 1m.

Example of installation type:

- With 32 monitors ART 4/G2+ / ART 4 LITE/G2+ monitors.
- With 32 ART 7H/G2+ / ART 7 LITE/G2+ monitors.
- With 32 ART 7W/G2+ monitors.



Installation with 1 building, 32 monitors, 4 asymmetric risers and 1 access door panel.



Distances and cross-sections:

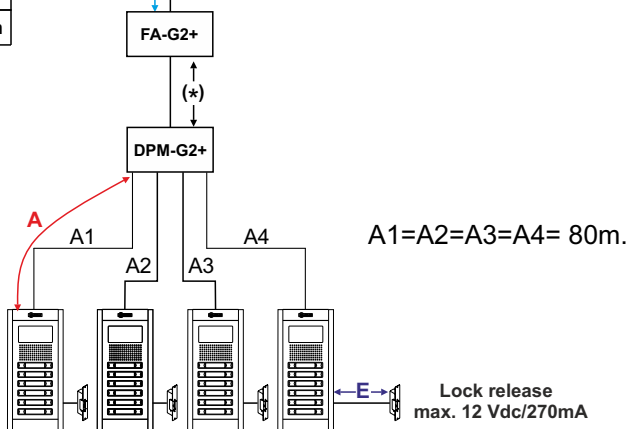
| Cable | A | B | C/C1 | D | B+C/C1+D | E |
|---------------------------------|-----|-----|------|-----|----------|-----|
| RAP-GTWIN/HF 2x1mm ² | 80m | 80m | 80m | 30m | 130m | 15m |

(*) Max. distance: 1m.

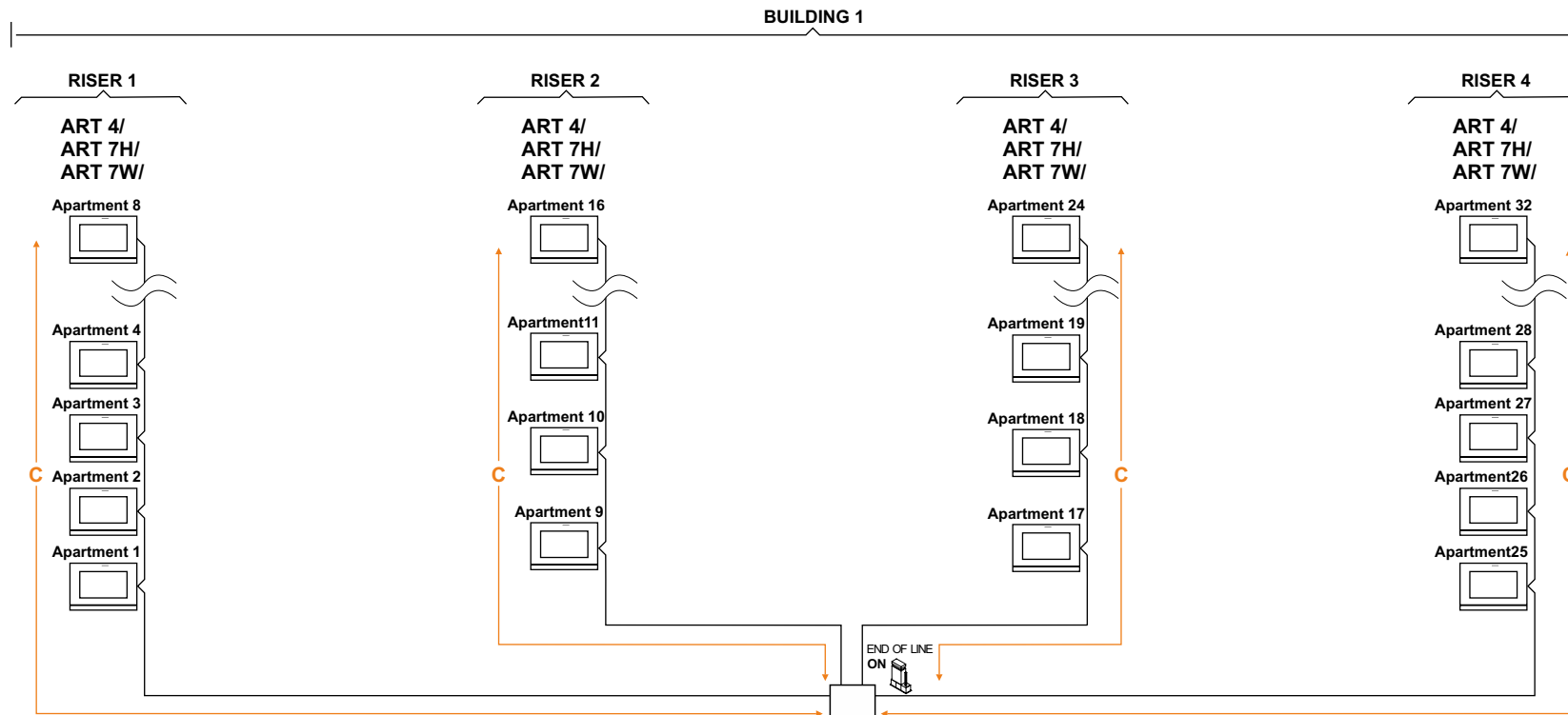
Example of installation type:

- With 32 monitors ART 4/G2+ monitors.
- With 32 ART 7H/G2+ monitors.
- With 32 ART 7W/G2+ monitors.

Note: Riser 4 without distributors, max. 8 monitors "IN-OUT" mode.



Installation with 1 building, 32 monitors, 4 risers without distributors "IN-OUT" mode and 1 access door panel.



Distances and cross-sections:

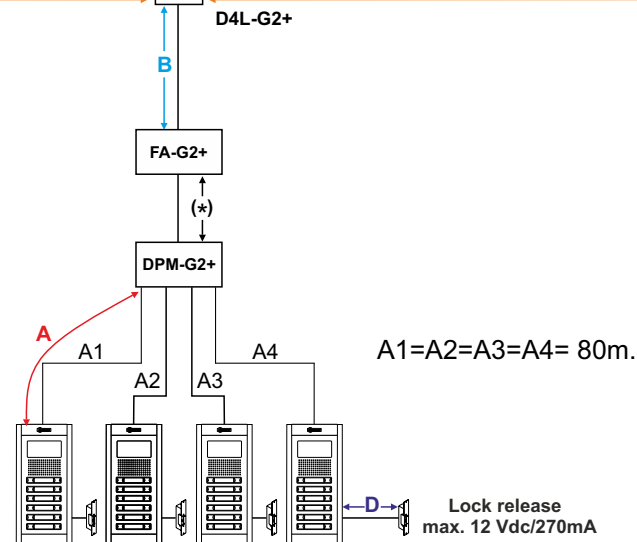
| Cable | A | B | C | B+C | D |
|---------------------------------|-----|-----|-----|------|-----|
| RAP-GTWIN/HF 2x1mm ² | 80m | 80m | 80m | 130m | 15m |

(*) Max. distance: 1m.

Example of installation type:

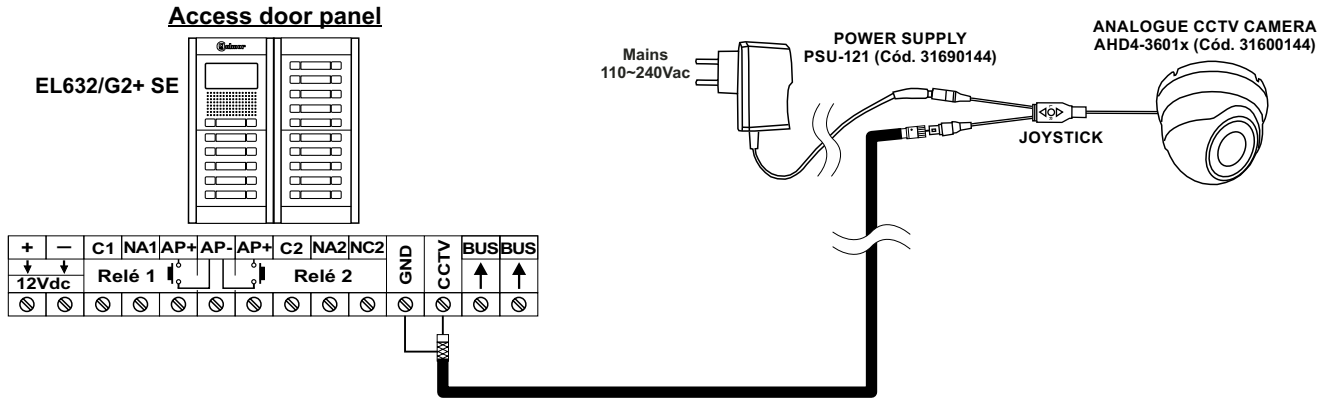
- With 32 monitors ART 4/G2+ monitors.
- With 32 ART 7H/G2+ monitors.
- With 32 ART 7W/G2+ monitors.

Note: IN-OUT installation with 4 risers without distributors, max. 8 monitors per riser and 32 monitors per installation (building).



CONNECTION OF AN EXTERNAL CAMERA (ONLY EL632 G2+ SE SOUND MODULE WITH COLOUR CAMERA)

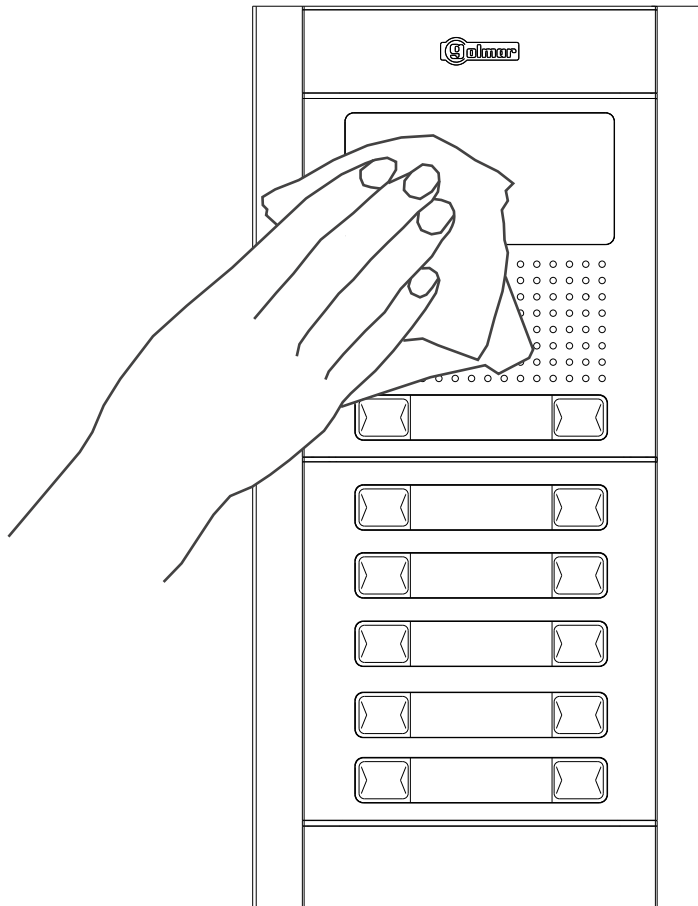
It is possible to connect a Golmar AHD4-3601x analogue CCTV to the video door panel, which can be viewed from the monitor, (see corresponding monitor to activate the external camera CCTV in "Special Codes"). "PSU-121" power supply unit required.



Important: Set the camera with a CVBS analogue signal, as described in the accompanying AHD4-3601x camera manual.

CLEANING THE DOOR PANEL

- Do not use solvents, detergents or cleaning products that contain acids, vinegar or abrasive components.
- Use a soft damp cloth (not wet) that sheds no fibres.
- Always wipe the door panel in the same direction, from top to bottom.
- After cleaning the door panel, remove any moisture with a soft dry cloth that sheds no fibres.



COMPLIANCE

Este producto es conforme con las disposiciones de las Directivas Europeas aplicables respecto a la Seguridad Eléctrica **2014/35/CEE** y la Compatibilidad Electromagnética **2014/30/CEE**.

*This product meets the essentials requirements of applicable European Directives regarding, Electrical Safety **2014/35/ECC** and Electromagnetic Compatibility **2014/30/ECC**.*



NOTA: El funcionamiento de este equipo está sujeto a las siguientes condiciones:

(1) Este dispositivo no puede provocar interferencias dañinas, y (2) debe aceptar cualquier interferencia recibida, incluyendo las que pueden provocar un funcionamiento no deseado.

NOTE: Operation is subject to the following conditions:

(1) This device may not cause harmful interference, and (2) this device must accept any received interference, including the ones that may cause undesired operation.



golmar@golmar.es

www.golmar.es

GOLMAR S.A.
C/ Silici, 13
08940- Cornellá de Llobregat
SPAIN



Golmar se reserva el derecho a cualquier modificación sin previo aviso.

Golmar se réserve le droit de toute modification sans préavis.

Golmar reserves the right to make any modifications without prior notice.