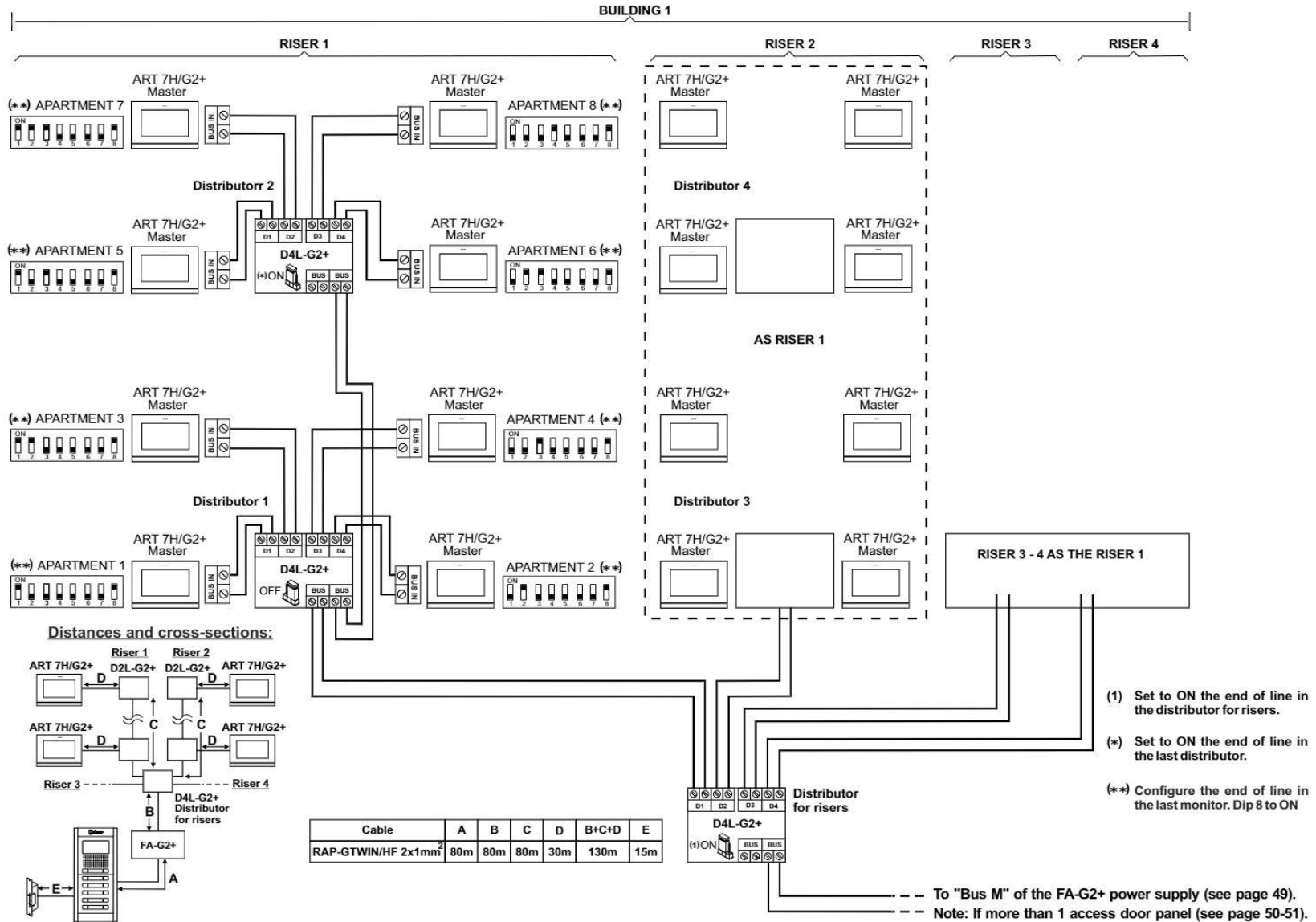


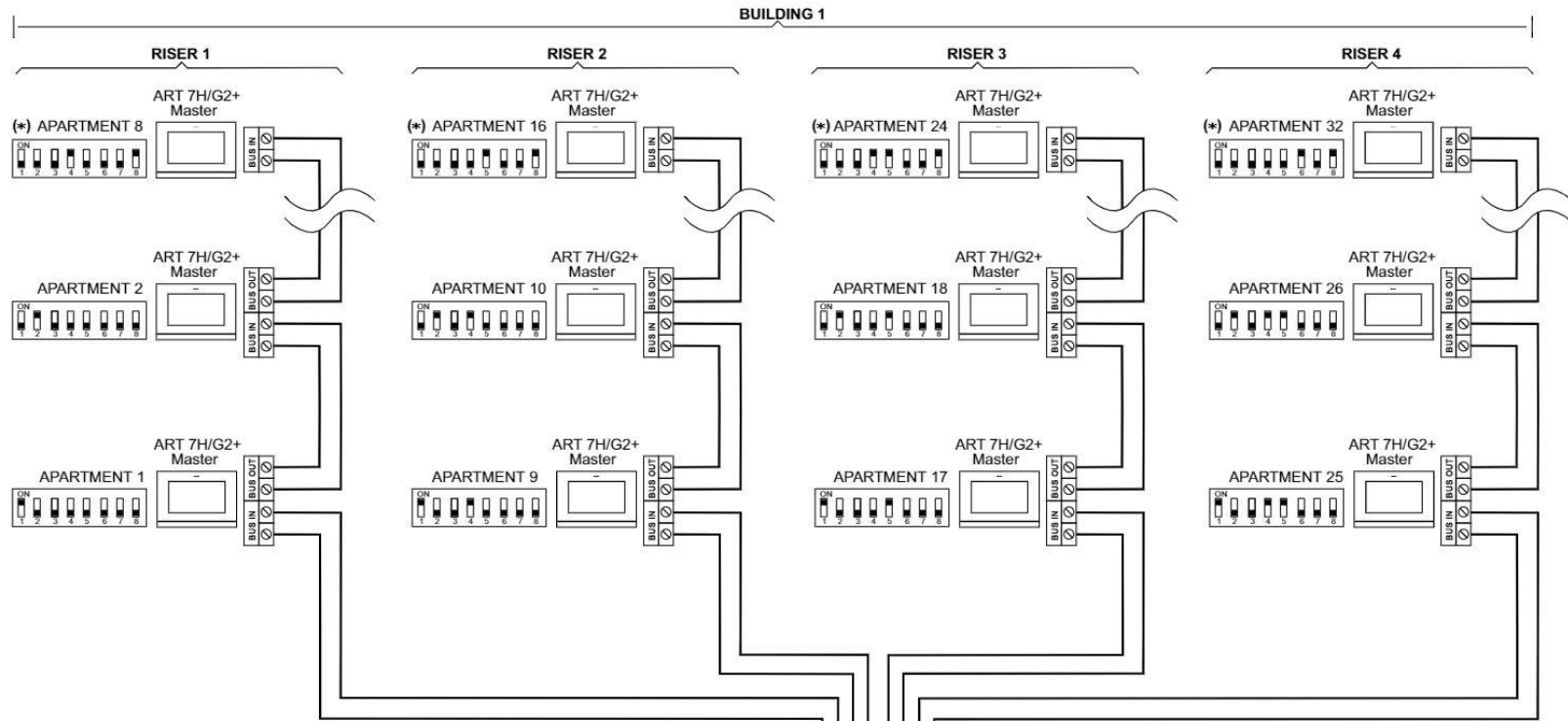
Video door entry system with 32 ART 7H/G2+ or ART 7 LITE/G2+ monitors, 4 risers with D4L-G2+ distributors and Golmar d.c lock release.



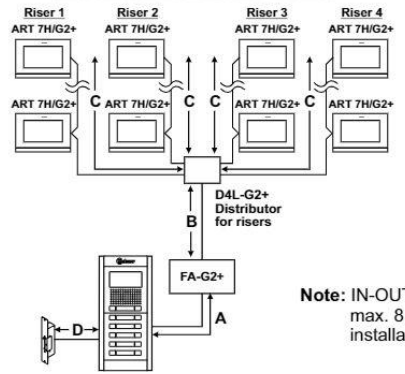
WIRING DIAGRAMS

NEXA MODULAR G2+ AUDIO AND VIDEO DOOR ENTRY SYSTEM - BUILDING 47

Video door entry system with 32 ART 7H/G2+ or ART 7 LITE/G2+ monitors in IN-OUT, 4 risers without distributors and Golmar d.c lock release.

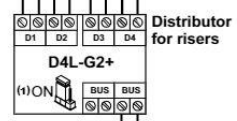


Distances and cross-sections:



Cable	A	B	C	B+C	D
RAP-GTWIN/HF 2x1mm ²	80m	80m	80m	130m	15m

Note: IN-OUT Installation with riser without distributors, max. 8 monitors per riser and 32 monitors per installation (building).



(1) Set to ON the end of line in the distributor for risers.

(*) Configure the end of line in the last monitor. Dip 8 to ON

--- To "Bus M" of the FA-G2+ power supply (see page 49).
 - - - Note: If more than 1 access door panel (see page 50-51).

NEXA MODULAR G2+ AUDIO AND VIDEO DOOR ENTRY SYSTEM - BUILDING 49

WIRING DIAGRAMS

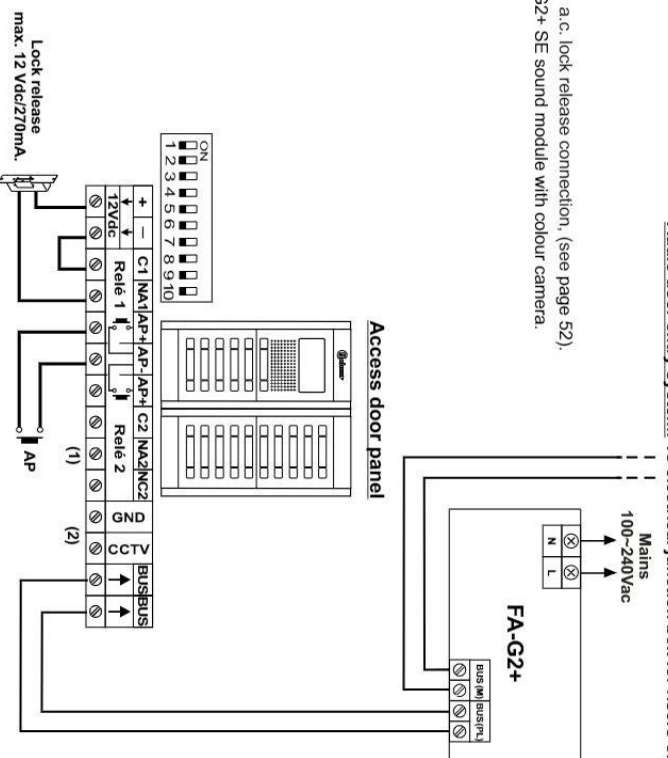
1 Building of video door entry system with risers (from 2 to 4) and 1 door panel with Golmar d.c lock release.

1 Building of audio door entry system with risers (from 1 to 8) and 1 door panel with Golmar d.c lock release.

Video door entry system: To distributor for risers of the building (see pages 46 to 48)
 Audio door entry system: To electrical junction box for risers of the building (see page 35)

Important:

- (1) For a second a.c. lock release connection, (see page 52).
- (2) Only EL632 G2+ SE sound module with colour camera.



1 Building of video door panel with risers (from 2 to 4) and 1 door panel with Golmar a.c lock release.

1 Building of audio door panel with risers (from 1 to 8) and 1 door panel with Golmar d.c lock release.

Video door panel: To distributor for risers of the building (see pages 46 to 48)
 Audio door panel: To electrical junction box for risers of the building (see page 35)

Important:

- (1) For a second a.c. lock release connection, (see page 52).
- (2) Only EL632 G2+ SE sound module with colour camera.
- (*) Fit the varistor supplied with the video module directly to the lock release terminals.

