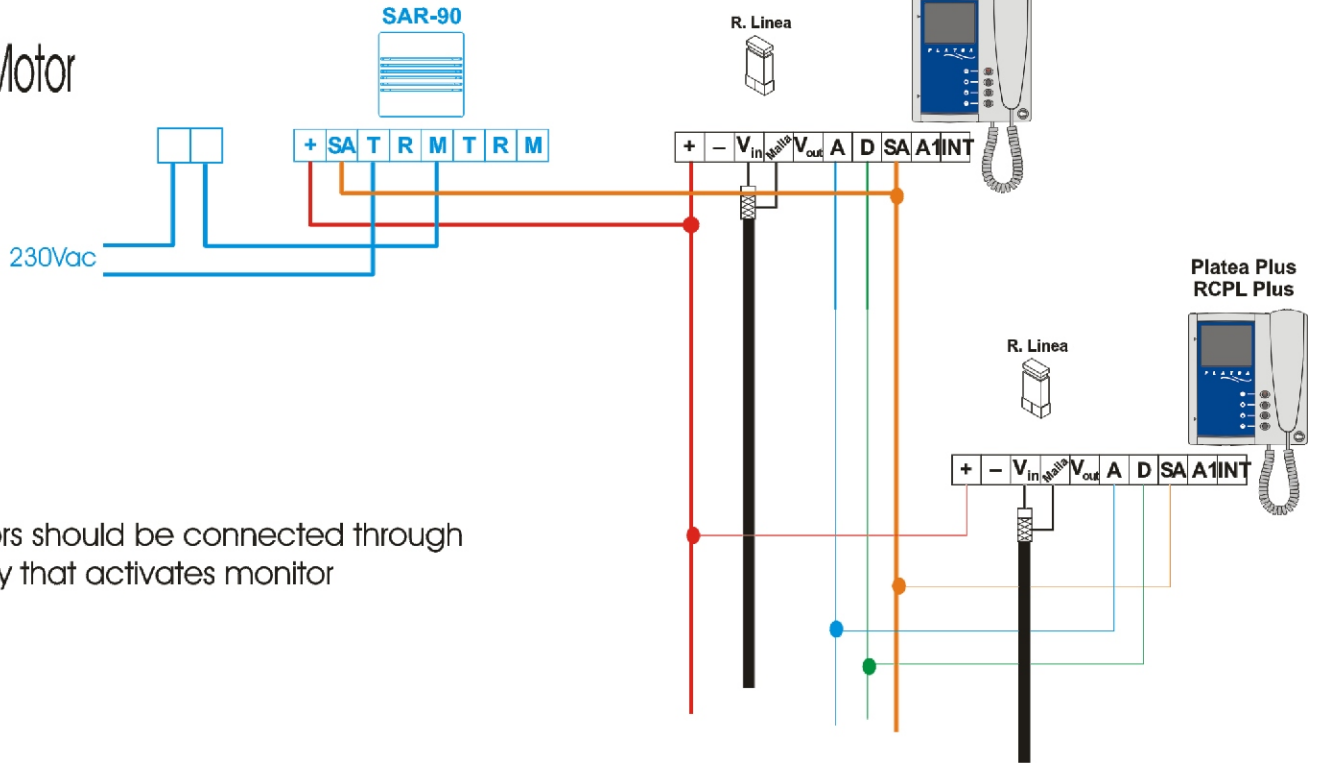


Motor



\*All monitors should be connected through SAR to relay that activates monitor